

Ersatzteilliste

(1.012-109.0) CV 60/1 RS Bp Pack

Inhaltsverzeichnis

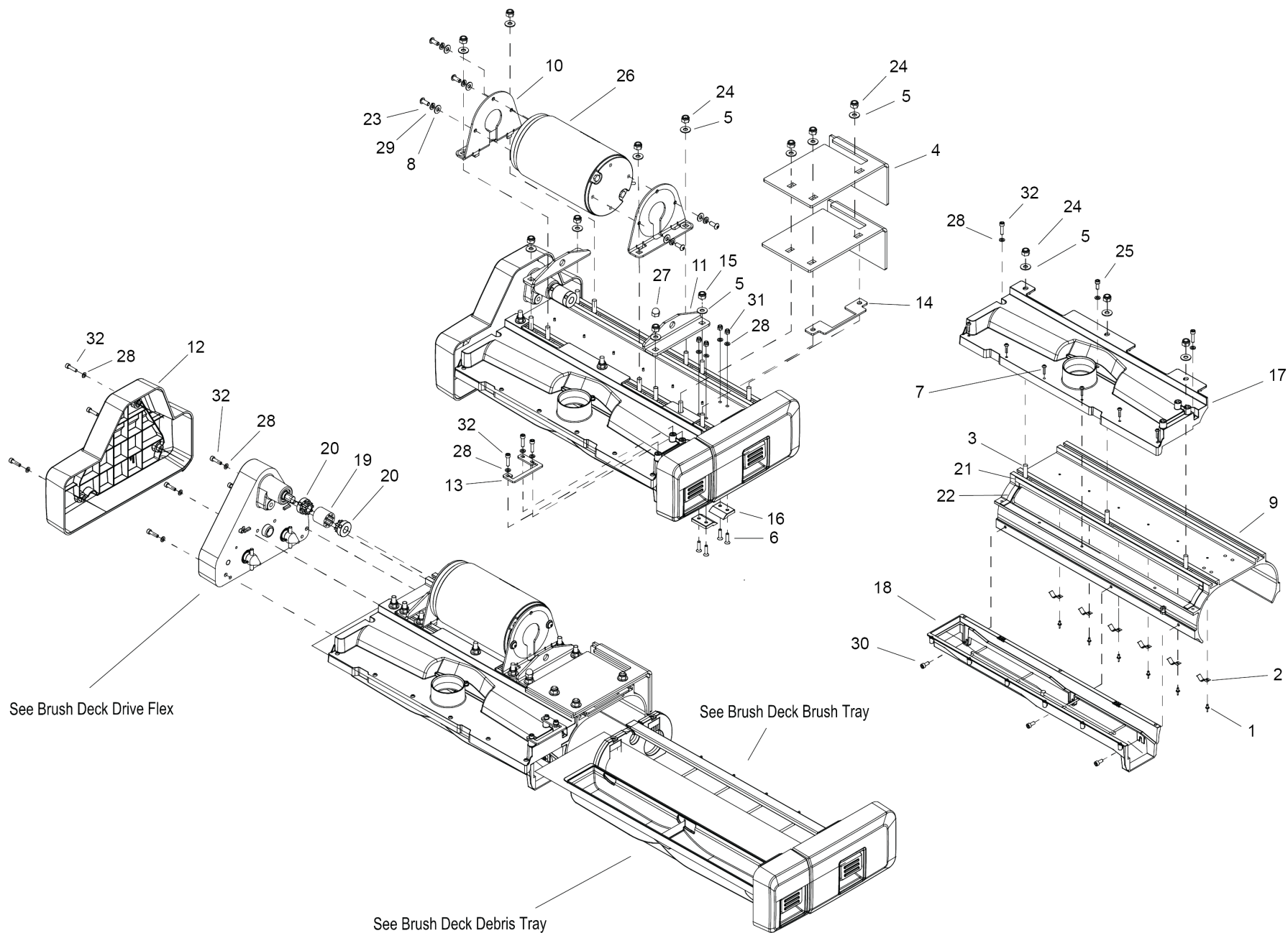
CV 60/1 RS Bp Pack (1.012-109.0)	3
10 BRUSH DECK 1	4
20 BRUSH DECK 2	6
30 BRUSH DECK DRIVE FLEXONIC	8
40 BRUSH DECK DEBRIS TRAY	10
50 BRUSH DECK BRUSH TRAY	12
60 BRUSH DECK LIFT	14
70 BULKHEAD DELUXE	16
80 BUMPER FRONT DELUXE	18
90 BUMPER REAR	20
100 CONTROL CONSOLE	22
110 CONTROL PANEL DELUXE	24
120 FRAME DELUXE	26
130 FRONT DRIVE DELUXE	28
140 LABELS DELUXE	30
150 MAIN BODY DELUXE	33
160 PLATFROM DELUXE	35
170 SIDE BROOM	37
180 STEERING DELUXE	39
190 VACUUM WITH WAND	42
200 BATTERY AGM AKW DELUXE	45
210 BATTERY CHARGER AKW	47
9502 Batteriesatz AGM 3x 12V/115Ah	49
9503 Einbausatz Batteriesatz	51

CV 60/1 RS Bp Pack (1.012-109.0)

POS	Artikelnr.	Beschreibung	Anzahl	Einheit
10		BRUSH DECK 1	1	ST
20		BRUSH DECK 2	1	ST
30		BRUSH DECK DRIVE FLEXONIC	1	ST
40		BRUSH DECK DEBRIS TRAY	1	ST
50		BRUSH DECK BRUSH TRAY	1	ST
60		BRUSH DECK LIFT	1	ST
70		BULKHEAD DELUXE	1	ST
80		BUMPER FRONT DELUXE	1	ST
90		BUMPER REAR	1	ST
100		CONTROL CONSOLE	1	ST
110		CONTROL PANEL DELUXE	1	ST
120		FRAME DELUXE	1	ST
130		FRONT DRIVE DELUXE	1	ST
140		LABELS DELUXE	1	ST
150		MAIN BODY DELUXE	1	ST
160		PLATFROM DELUXE	1	ST
170		SIDE BROOM	1	ST
180		STEERING DELUXE	1	ST
190		VACUUM WITH WAND	1	ST
200		BATTERY AGM AKW DELUXE	1	ST
210		BATTERY CHARGER AKW	1	ST
230	8.645-398.0	Service harness Chariot 4	1	ST
240	8.645-399.0	USB-Kabel CAN tool	1	ST
9502		Batteriesatz AGM 3x 12V/115Ah	1	ST
9503		Einbausatz Batteriesatz	1	ST
9510	8.645-262.0	Bausatz Wand	1	ST
9520	8.645-088.0	Schlauch Montage 1-1/2" ID 10' accessory	1	ST
9530	8.644-214.0	Beutel Vakuum hepa (pack of 5)	1	ST

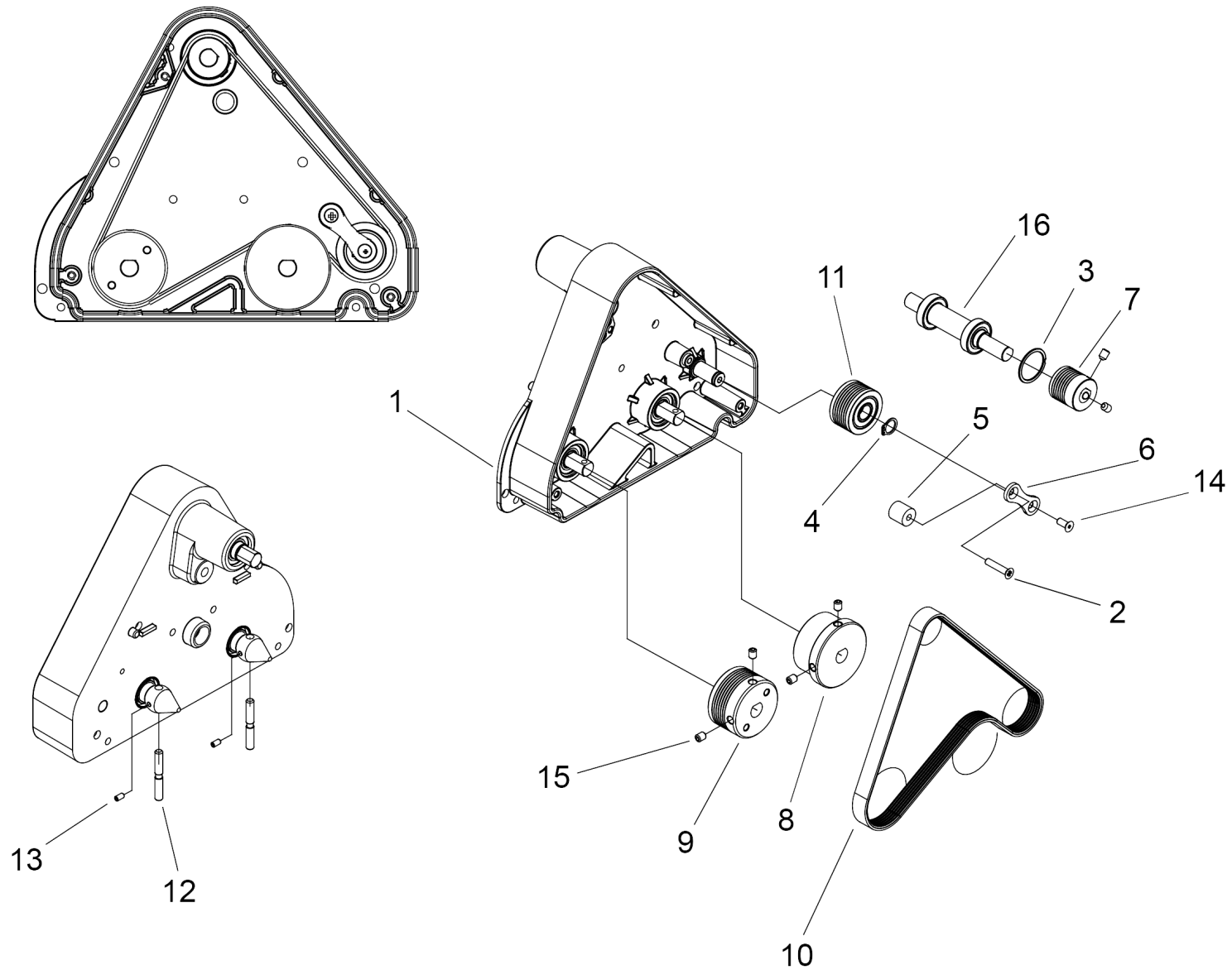
10 BRUSH DECK 1

POS	Artikelnr.	Beschreibung	Anzahl	Einheit
1	8.644-822.0	Buerstendeck Halterung harness brush	1	ST
2	8.644-821.0	Buerstendeck Halterung harness sidebroom	1	ST
3	8.644-318.0	Buerstenmotor thermistor	1	ST
4	8.601-063.0	Scheibe 1/4 ID X 5/8 OD SS	2	ST
5	8.637-307.0	ASM, BRUSH END, NON-DRIVE	2	ST
6	8.643-708.0	Schraube #10-32 X.50 TPNHCS SS BLK ZNPLT	2	ST
7	8.634-050.0	Buerstenwalze 20"	2	ST
8	8.627-440.0	Schraube 1/4-20 X 5/8	2	ST
9	8.627-184.0	Mutter 5/16-18 HEX NYLOCK THIN SS	3	ST
10	8.627-099.0	Mutter 10-32 HEX NYLOCK SS	2	ST
11	8.623-317.0	Klemme 3/8 NYLON UL/CSA	1	ST
12	8.644-897.0	Seite Besen p-clip	1	ST



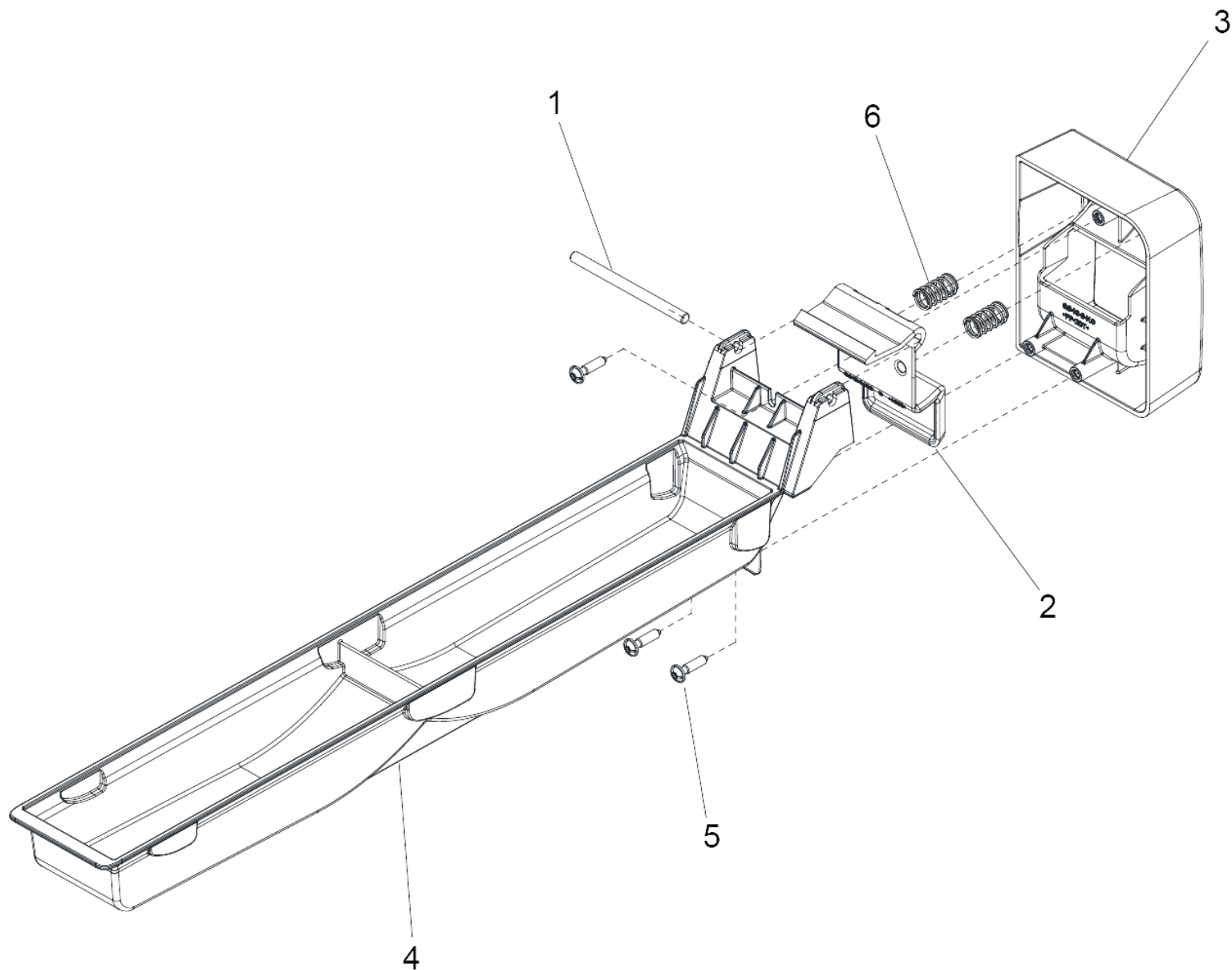
20 BRUSH DECK 2

POS	Artikelnr.	Beschreibung	Anzahl	Einheit	Bemerkung
-	8.644-173.0	Buerstendeck Montage	1	ST	Complete Assembly
1	8.644-956.0	Niet 1/8 X .032-.062GL POP AL	6	ST	
2	8.644-945.0	Buerstendeck Schutzkontakt	6	ST	
3	8.644-802.0	Schraube Vierkant Sockel 5/16-18 x 1.128	13	ST	
4	8.644-462.0	Platte Zaehler Ausgleich	2	ST	
5	8.601-067.0	Scheibe 5/16 FLAT SS	13	ST	
6	8.644-170.0	Schraube M5 X 20 HEXFLHMS SS	4	ST	
7	8.644-169.0	Schraube KA35 X 16 SS	8	ST	
8	8.601-063.0	Scheibe 1/4 ID X 5/8 OD SS	5	ST	
9	8.644-137.0	Pinsel Gehaeuse dualer 4"X20"	1	ST	
10	8.644-131.0	Motor Anbau Konsole	2	ST	
11	8.644-130.0	Buerstendeck pivot bracket	2	ST	
12	8.643-735.0	Guertel Gehaeuse Abdeckung	1	ST	
13	8.643-734.0	Platte rastend debris tray	1	ST	
14	8.643-733.0	Pinsel Tablett latch plate	1	ST	
15	8.627-184.0	Mutter 5/16-18 HEX NYLOCK THIN SS	2	ST	
16	8.643-731.0	Pinsel Tray slide support	2	ST	
17	8.643-725.0	Buerstendeck Saugen Abdeckung	1	ST	
18	8.643-639.0	Rutsche Tray debris	1	ST	
19	8.641-332.0	Kupplungshuelse 17SH X 28	1	ST	
20	8.637-047.0	Kupplungsnabe 18ES 1/2" D	2	ST	
21	8.634-320.0	Dichtung 1.6THK X 9.5W X 494L	1	ST	
22	8.634-319.0	Dichtung 1.6THK X 9.5W X 60L	2	ST	
23	8.627-440.0	Schraube 1/4-20 X 5/8	5	ST	
24	8.627-083.0	Mutter 5/16-18 HEX NYLOCK SS	11	ST	
25	8.622-370.0	SCREW, M5 X .8 X15 SHCS BLK	1	ST	
26	8.622-213.0	Motor 36V 1/2HP 1725 RPM	1	ST	
27	8.619-704.0	Mutter 5/16-18	1	ST	
28	8.617-335.0	Scheibe M5	17	ST	
29	8.617-334.0	Scheibe	5	ST	
30	8.617-295.0	Schraube M5X12, SHCS, ISO4	3	ST	
31	7.311-421.0	6kt-Mutter M 5-04-A2E DIN 985	4	ST	
32	7.306-158.0	Zyl.Schr. M 5x20-A4-70 ISO 4762	12	ST	



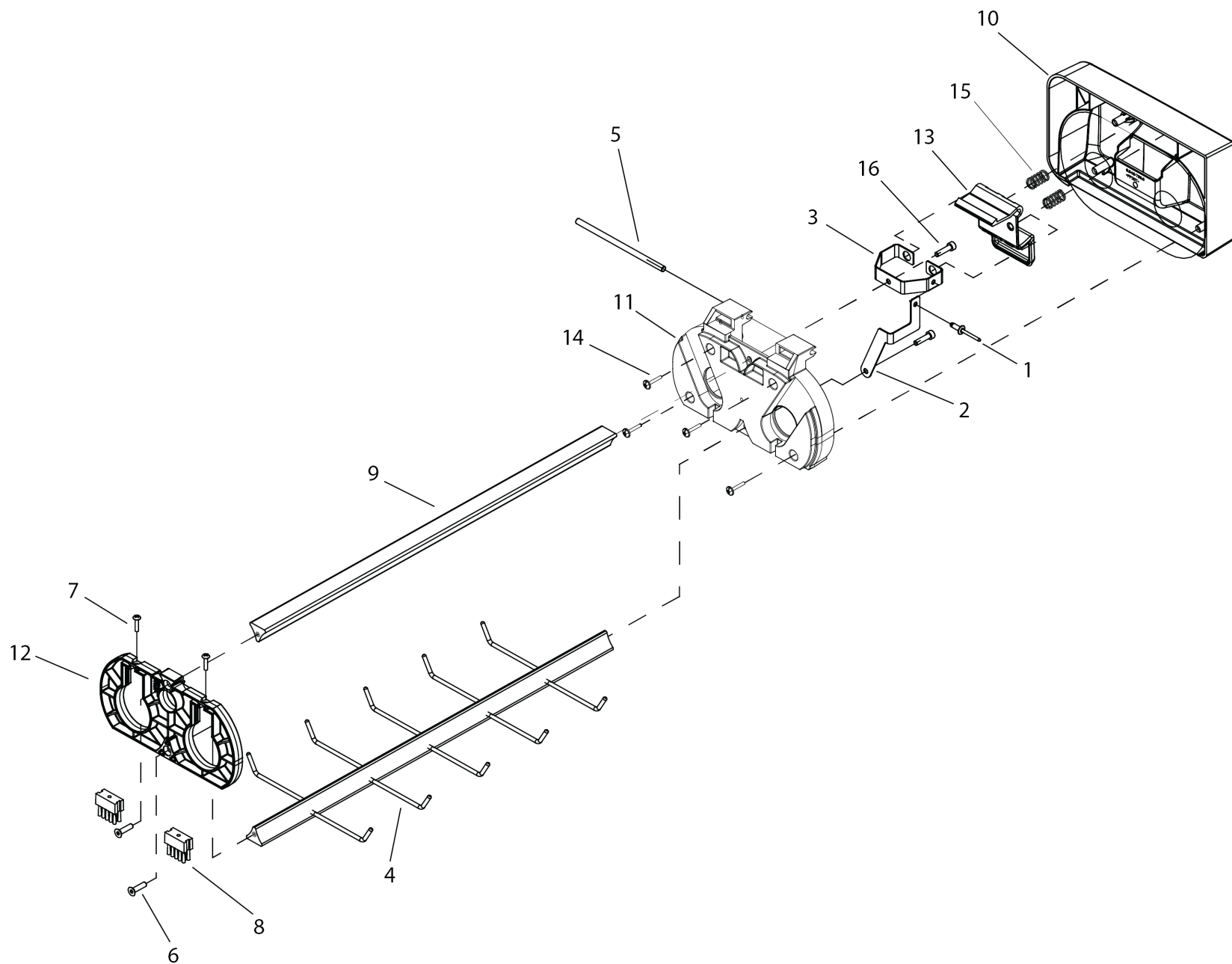
30 BRUSH DECK DRIVE FLEXONIC

POS	Artikelnr.	Beschreibung	Anzahl	Einheit	Bemerkung
-	8.644-171.0	Buerstendeck fahren Gruppierung flexonic	1	ST	Complete Assembly
1	8.644-796.0	Einhausung Zusammenbau flexonic brush drive	1	ST	
2	8.641-416.0	SCREW, M5 X 25 PHFLHMS SS ISO7046	1	ST	
3	8.641-196.0	RING, INT, SPIRAL 28MM OD	1	ST	
4	8.641-194.0	RING, 12MM EXTERNAL SNAP	1	ST	
5	8.641-146.0	SPACER, IDLER, BRACE	1	ST	
6	8.641-144.0	PLATE, BRACE	1	ST	
7	8.641-143.0	PULLEY, PJ-6, 27.5	1	ST	
8	8.641-141.0	PULLEY, FLAT, 49.8	1	ST	
9	8.641-140.0	PULLEY, PJ-6, 49.8	1	ST	
10	8.641-139.0	Keilrippenriemen 6PJ602	1	ST	
11	8.638-540.0	PULLEY ASM, PJ-6, 38.0	1	ST	
12	8.622-417.0	Welle Buerstenantrieb 6,2 mm	2	ST	
13	8.622-378.0	Gewindestift M4X8	2	ST	
14	8.617-297.0	Schraube	1	ST	
15	8.617-296.0	Schraube M6X8,SH,ISO4029,SS	6	ST	
16	8.601-281.0	Achse kpl. Antrieb 16"	1	ST	



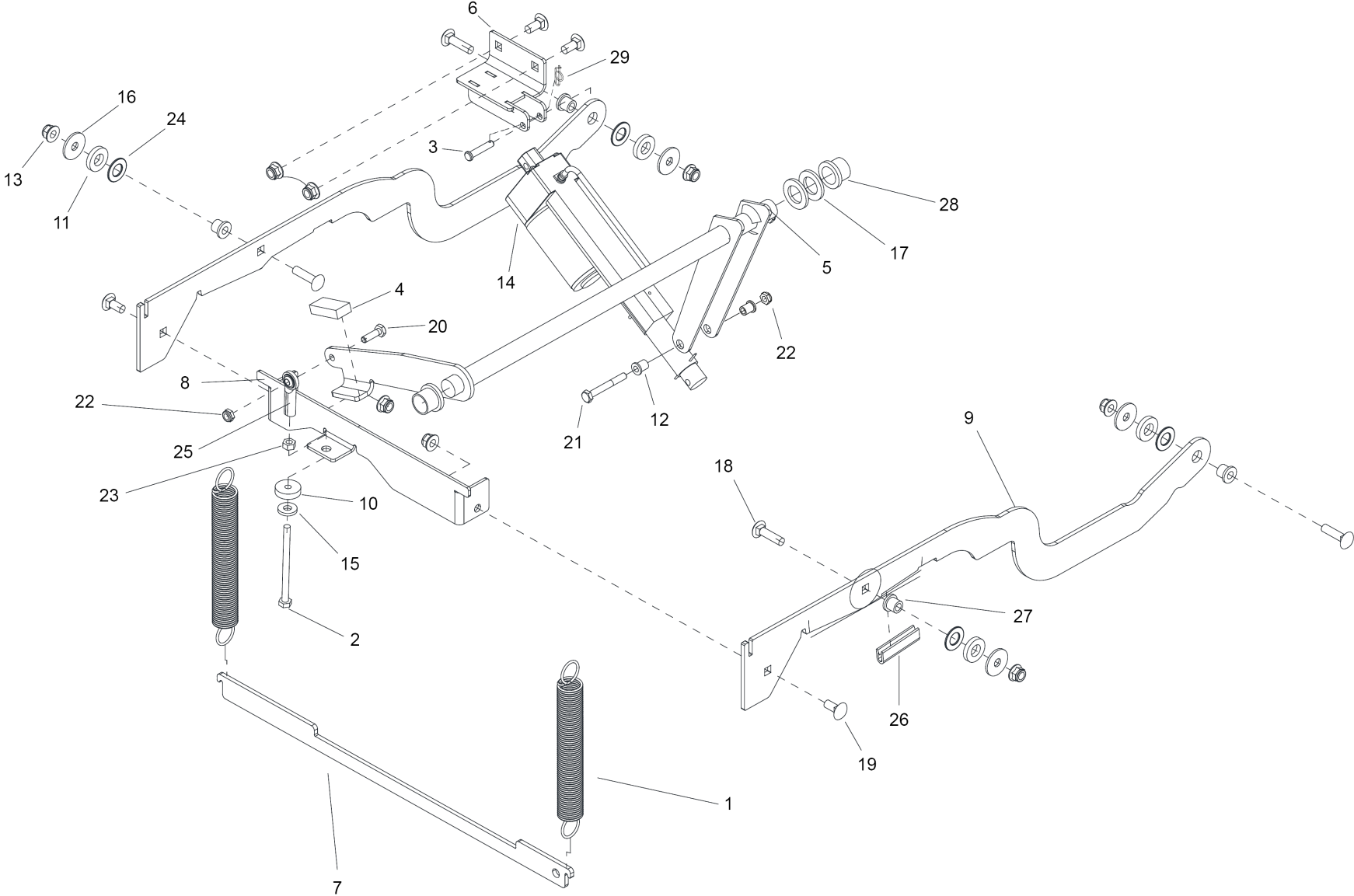
40 BRUSH DECK DEBRIS TRAY

POS	Artikelnr.	Beschreibung	Anzahl	Einheit	Bemerkung
-	8.644-168.0	Ablage Montage debris	1	ST	Complete Assembly
1	8.644-123.0	Zapfen Scharnier 6 X 85 SS	1	ST	
2	8.643-642.0	Schwinge Drehgriff	1	ST	
3	8.643-641.0	Endkappe debris tray	1	ST	
4	8.643-640.0	Tray basket debris	1	ST	
5	7.777-999.0	Bevorratung eingestellt	3	ST	
6	7.777-999.0	Bevorratung eingestellt	2	ST	



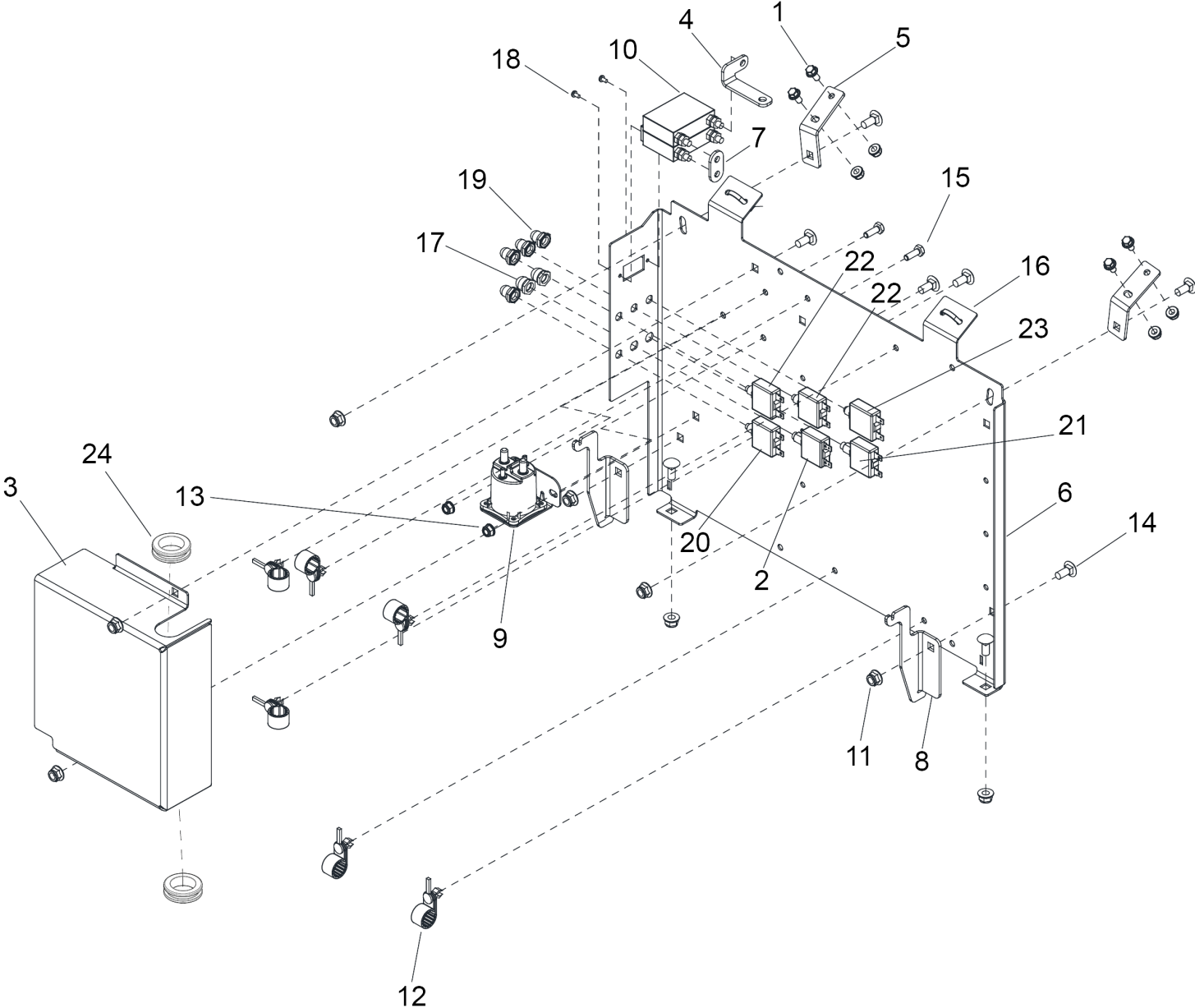
50 BRUSH DECK BRUSH TRAY

POS	Artikelnr.	Beschreibung	Anzahl	Einheit	Bemerkung
-	8.643-732.0	Tray Montage Buerste	1	ST	Complete Assembly
1	8.719-053.0	RIVET, 3/16 DIA .126-.250" GRIP, S/S	1	ST	
2	8.644-909.0	Schutzkontakt Buerste Stange	1	ST	
3	8.644-908.0	Schutzkontakt Feder	1	ST	
4	8.644-895.0	Pinself Boden Tablett rail assembly	1	ST	
5	8.644-172.0	Zapfen Scharnier 6 X 127 SS	1	ST	
6	8.644-170.0	Schraube M5 X 20 HEXFLHMS SS	2	ST	
7	8.644-169.0	Schraube KA35 X 16 SS	2	ST	
8	8.644-157.0	Lager Buerste guard	2	ST	
9	8.644-153.0	Pinself oberer Tablett rail	1	ST	
10	8.643-736.0	Endkappe Buerste Tablett	1	ST	
11	8.643-730.0	Pinself Tablett rastend retainer	1	ST	
12	8.643-729.0	Pinself Tablett Endplatte	1	ST	
13	8.643-642.0	Schwinge Drehgriff	1	ST	
14	7.777-999.0	Bevorratung eingestellt	4	ST	
15	7.777-999.0	Bevorratung eingestellt	2	ST	
16	7.306-158.0	Zyl.Schr. M 5x20-A4-70 ISO 4762	2	ST	



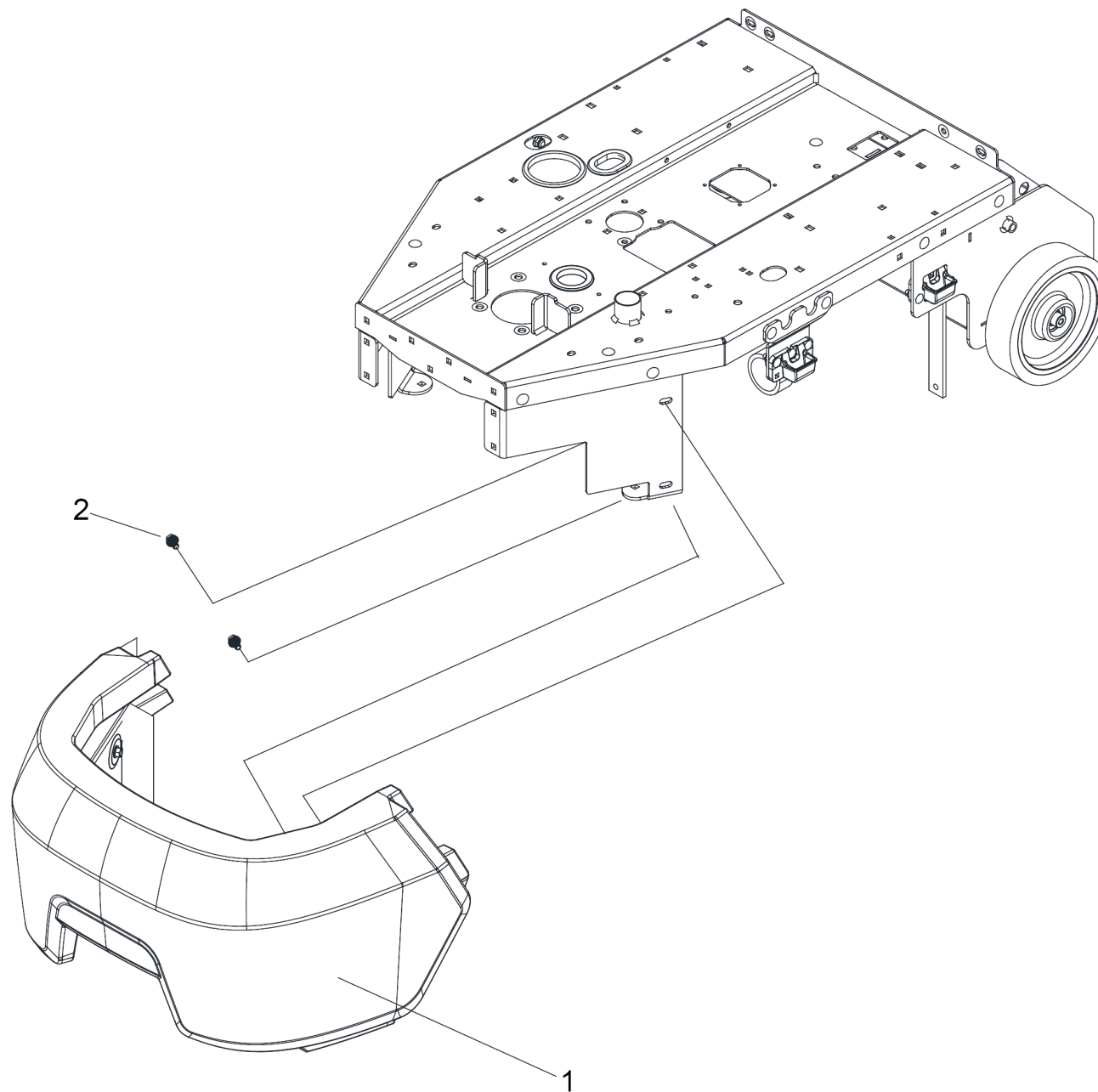
60 BRUSH DECK LIFT

POS	Artikelnr.	Beschreibung	Anzahl	Einheit
1	8.644-857.0	Feder , EXT, 1.0 OD X 8.0	2	ST
2	8.644-383.0	Schraube w 1/4-28 x 3.5 HHCS SS	1	ST
3	8.644-340.0	Sperrbolzen 1/4 x 1.25 STL ZNPLT	1	ST
4	8.644-299.0	Pad Hub Arm	1	ST
5	8.644-272.0	Heber Buerste deck	1	ST
6	8.644-261.0	Konsole Stellmotor Anbau	1	ST
7	8.644-248.0	Konsole Feder Anbau	1	ST
8	8.644-247.0	Konsole deck lift	1	ST
9	8.644-246.0	Arm deck lift	2	ST
10	8.642-335.0	Unterlegscheibe 1/4" X 1" X 1/4", FLT NPRN BLK	1	ST
11	8.639-408.0	Scheibe .500 X 1 X .188 NPRN	4	ST
12	8.637-917.0	BUSHING, .250 X .375 X .500 BRZ	2	ST
13	8.636-824.0	NUT, 5/16-18, FLG NYLOCK SS	8	ST
14	8.632-088.3	Motor 36V	1	ST
15	8.627-965.0	Dichtscheibe 5/16X3/4	1	ST
16	8.627-963.0	Scheibe .344IDX1.13ODX.09T PLT	4	ST
17	8.627-942.0	Scheibe .75IDX1.25ODX.125THK NY	2	ST
18	8.627-703.0	Schraube 5/16-18X1.25	4	ST
19	8.627-607.0	Schraube 5/16-18 X 3/4	4	ST
20	8.627-488.0	SCR, 1/4-20 X 7/8 HHCS GR5 PLT	1	ST
21	8.627-385.0	Schraube 1/4-20 x 2 HHCS SS	1	ST
22	8.627-187.0	Mutter 1/4-20 Hex Nylock	2	ST
23	8.627-087.0	Mutter 1/4-28 HEX SS	1	ST
24	8.625-941.0	Scheibe THRUST.51 ID X10DX.063	4	ST
25	8.625-179.0	ROD END, BALL JOINT 1/4-28	1	ST
26	8.623-541.0	EDGING, 3/16" GRIP X 2.0 LG	1	ST
27	8.622-884.0	Gleitlager FLANGED.314IDX.502OD	4	ST
28	8.622-879.0	Lager FLANGE .88ODX.75IDX.75	2	ST
29	8.600-865.0	Splint 1/4" RING	1	ST



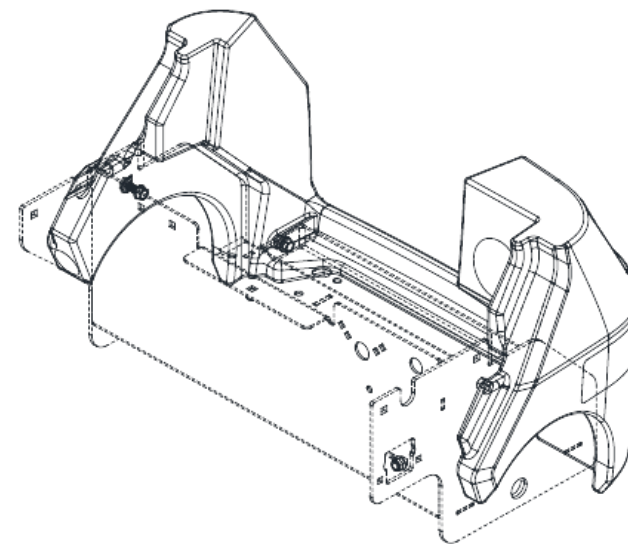
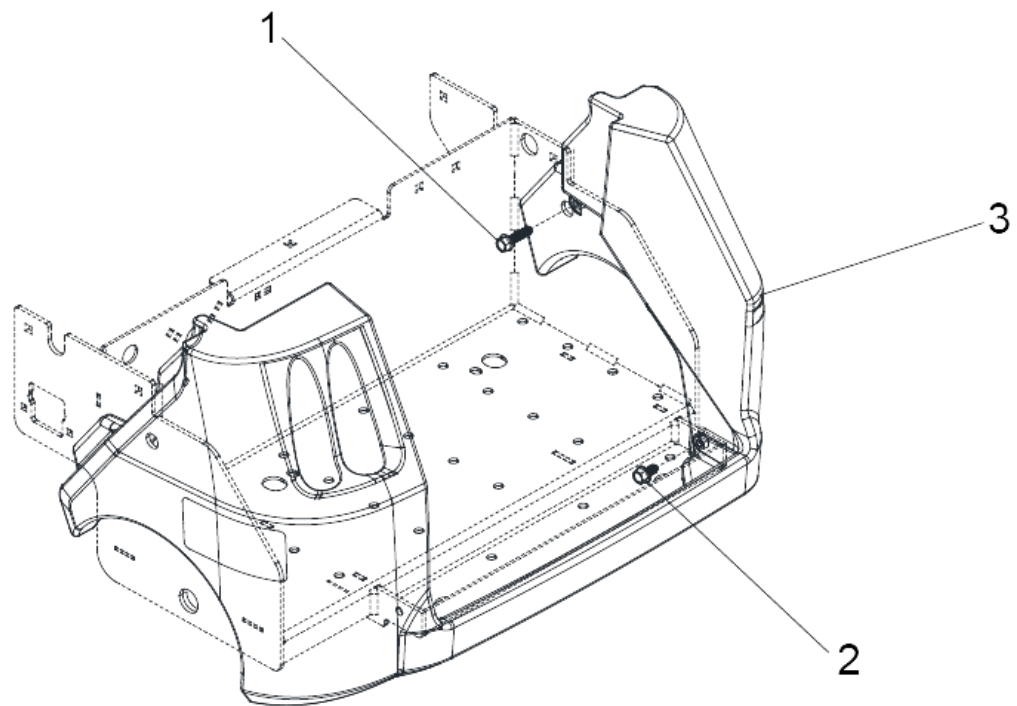
70 BULKHEAD DELUXE

POS	Artikelnr.	Beschreibung	Anzahl	Einheit
1	9.802-754.0	SCREW, 1/4" x 1/2" NC, WHIZ LOC FLANGE	4	ST
2	8.645-149.0	Trennschalter 25A 250VAC 50VDC	1	ST
3	8.644-839.0	Leitungsschutzschalter Halterung deluxe	1	ST
4	8.644-824.0	Sammelschiene Konsole	1	ST
5	8.644-298.0	Konsole rastend Kiste	2	ST
6	8.644-295.0	Paneel Trennwand	1	ST
7	8.644-290.0	Konsole Hauptschalter	1	ST
8	8.644-249.0	Halterung Feder attachment	2	ST
9	8.637-145.0	Relais	1	ST
10	8.636-902.0	Leitungsschutzschalter 60 AMP 2-POLE TUV CSA UL	1	ST
11	8.636-824.0	NUT, 5/16-18, FLG NYLOCK SS	8	ST
12	8.636-123.0	CLAMP, PAN 3/4"	6	ST
13	8.636-031.0	NUT, 1/4-20 FLG SS NYL	6	ST
14	8.627-607.0	Schraube 5/16-18 X 3/4	8	ST
15	8.627-695.0	Schraube 1/4-20 X 3/4 CARRIAGE SS	2	ST
16	8.626-494.0	Kabelbinder 11.38" UL/CSA	2	ST
17	8.600-890.0	Schutzkappe Motorschutzschalter	2	ST
18	8.600-662.0	Schraube 6-32 X 1/4 PPHMS SS	2	ST
19	8.600-201.0	Faltenbalg 3/8 CIRCUIT BREAKER	4	ST
20	8.600-198.0	Schalter 15A 250VAC 50VDC	1	ST
21	8.600-191.0	Schalter 30A 50VDC CIRCUIT	1	ST
22	8.600-173.0	Schalter 18A 250VAC, 50VDC	2	ST
23	7.777-999.0	Bevorratung eingestellt	1	ST
24	8.623-843.0	GROMMET 1.00 ID 3/16 GRIP	2	ST



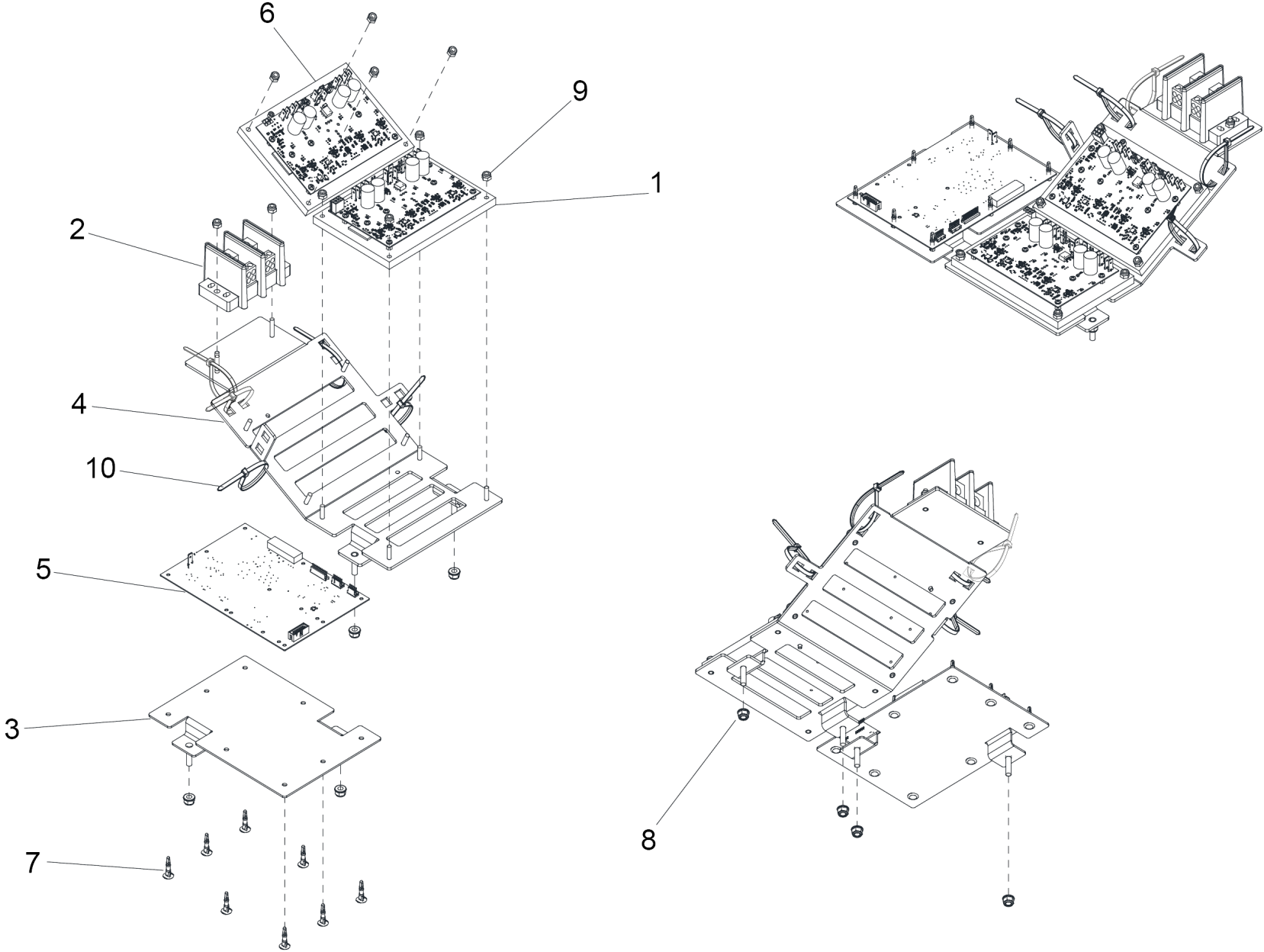
80 BUMPER FRONT DELUXE

POS	Artikelnr.	Beschreibung	Anzahl	Einheit
1	8.644-144.0	Stossfaenger Front deluxe	1	ST
2	8.644-832.0	Schraube 5/16-18 X 5/8 HHMS SERFLG	4	ST



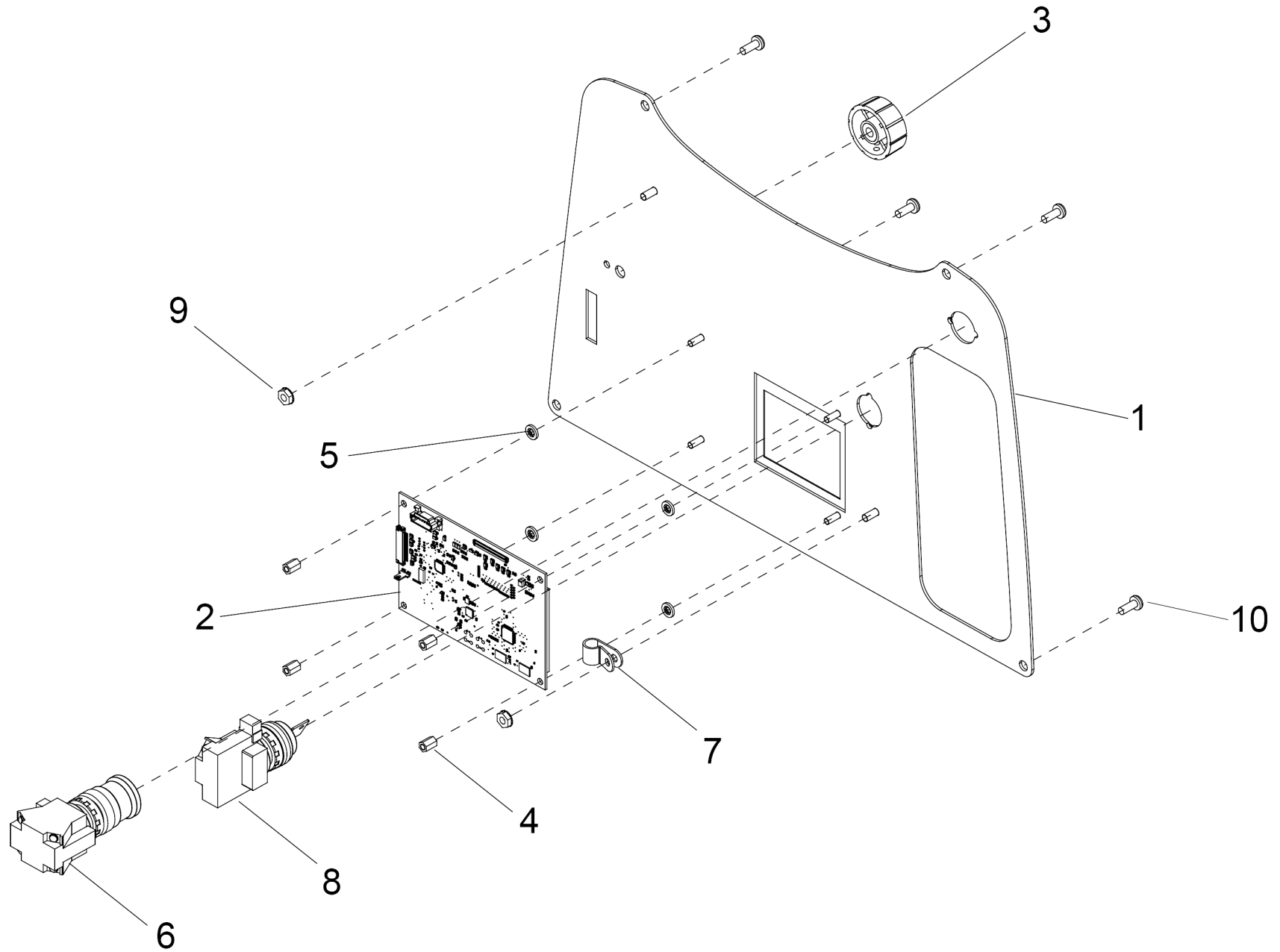
90 BUMPER REAR

POS	Artikelnr.	Beschreibung	Anzahl	Einheit
1	9.802-755.0	SCREW, 5/16" x 1-1/4", WHIZ LOC FLANGE	2	ST
2	8.644-832.0	Schraube 5/16-18 X 5/8 HHMS SERFLG	2	ST
3	8.644-155.0	Bumper Heck	1	ST



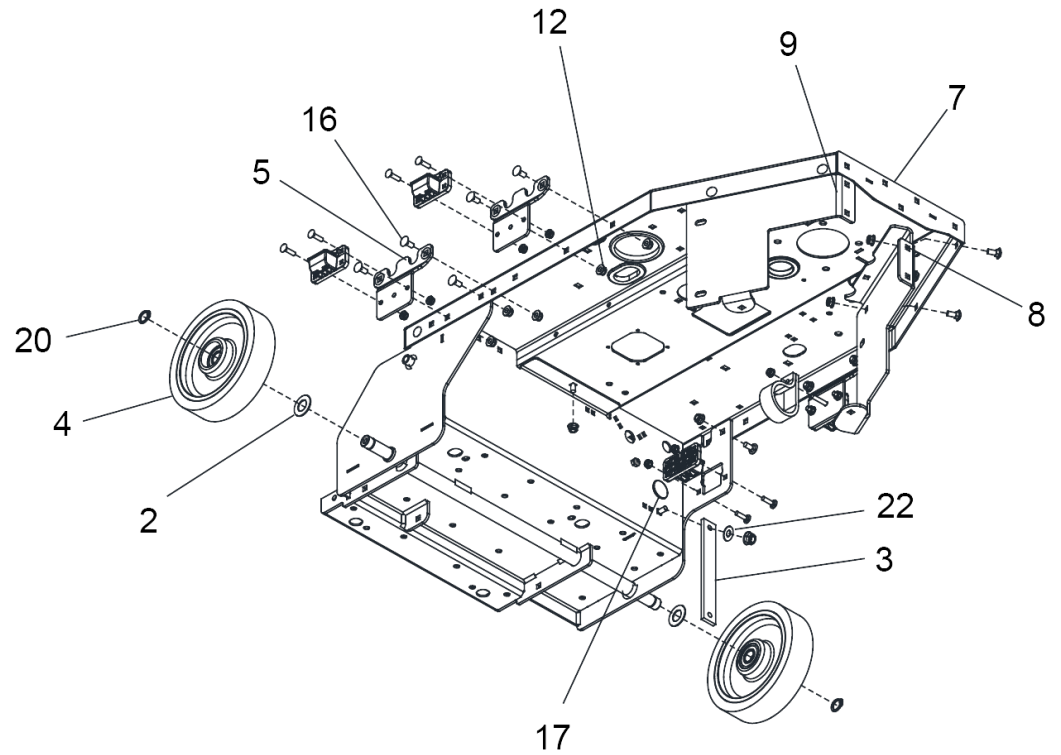
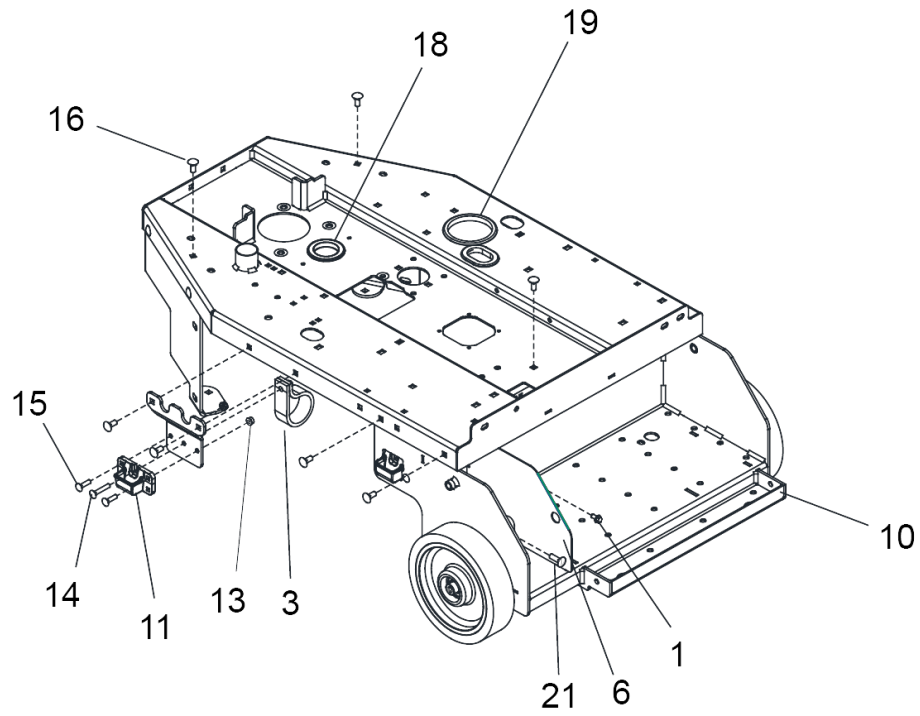
100 CONTROL CONSOLE

POS	Artikelnr.	Beschreibung	Anzahl	Einheit
1	8.644-771.0	Vakuum and sidebroom motor DMC	1	ST
2	8.644-459.0	Batterie distribution block	1	ST
3	8.644-338.0	Ansteuerung console VCM bracket	1	ST
4	8.644-286.0	Bedienpult DMC bracket	1	ST
5	8.644-284.0	Platine VCM	1	ST
6	8.644-283.0	PURCHASED DOMESTIC PARTS	1	ST
7	8.638-654.0	Distanzbolzen	8	ST
8	8.636-031.0	NUT, 1/4-20 FLG SS NYL	4	ST
9	8.627-099.0	Mutter 10-32 HEX NYLOCK SS	10	ST
10	8.626-494.0	Kabelbinder 11.38" UL/CSA	5	ST



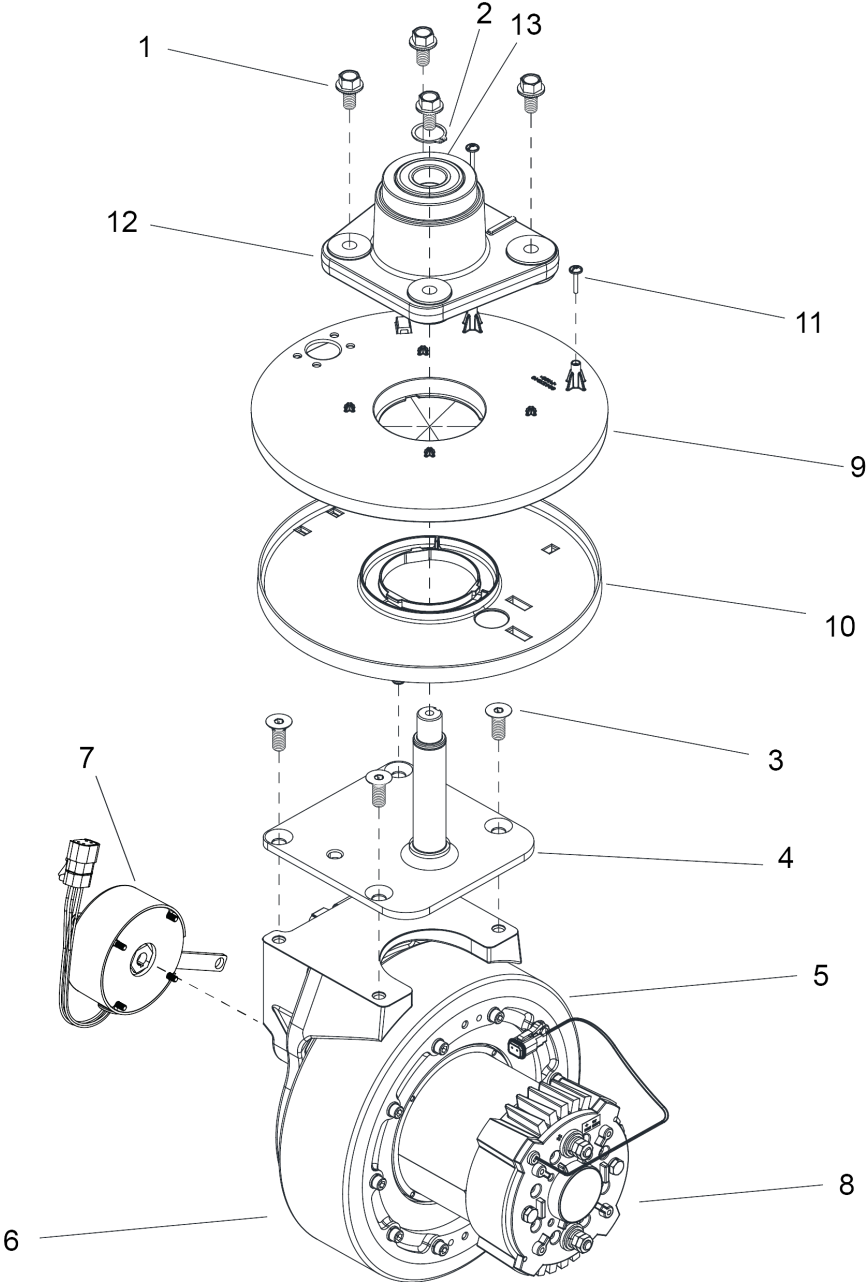
110 CONTROL PANEL DELUXE

POS	Artikelnr.	Beschreibung	Anzahl	Einheit
1	8.644-812.0	Steuerpult Montage deluxe	1	ST
2	8.644-414.0	Platine HMI with LCD	1	ST
3	8.644-413.0	Knauf 1.5"OD x .6"H x .25"ID	1	ST
4	8.644-389.0	Abstandsbolzen 8-32 x .375 nylon	4	ST
5	8.644-385.0	Unterlage .235 x .390 x .062 nylon	4	ST
6	8.629-259.0	Schalter Not-Aus	1	ST
7	8.619-846.0	CLAMP, 5/8 NYLON UL/CSA	1	ST
8	8.600-717.0	Schalter KEY TWO POSITION	1	ST
9	8.600-570.0	Mutter 10-32 W/STAR WASHER PLTD	2	ST
10	8.643-708.0	Schraube #10-32 X.50 TPNHCS SS BLK ZNPLT	4	ST



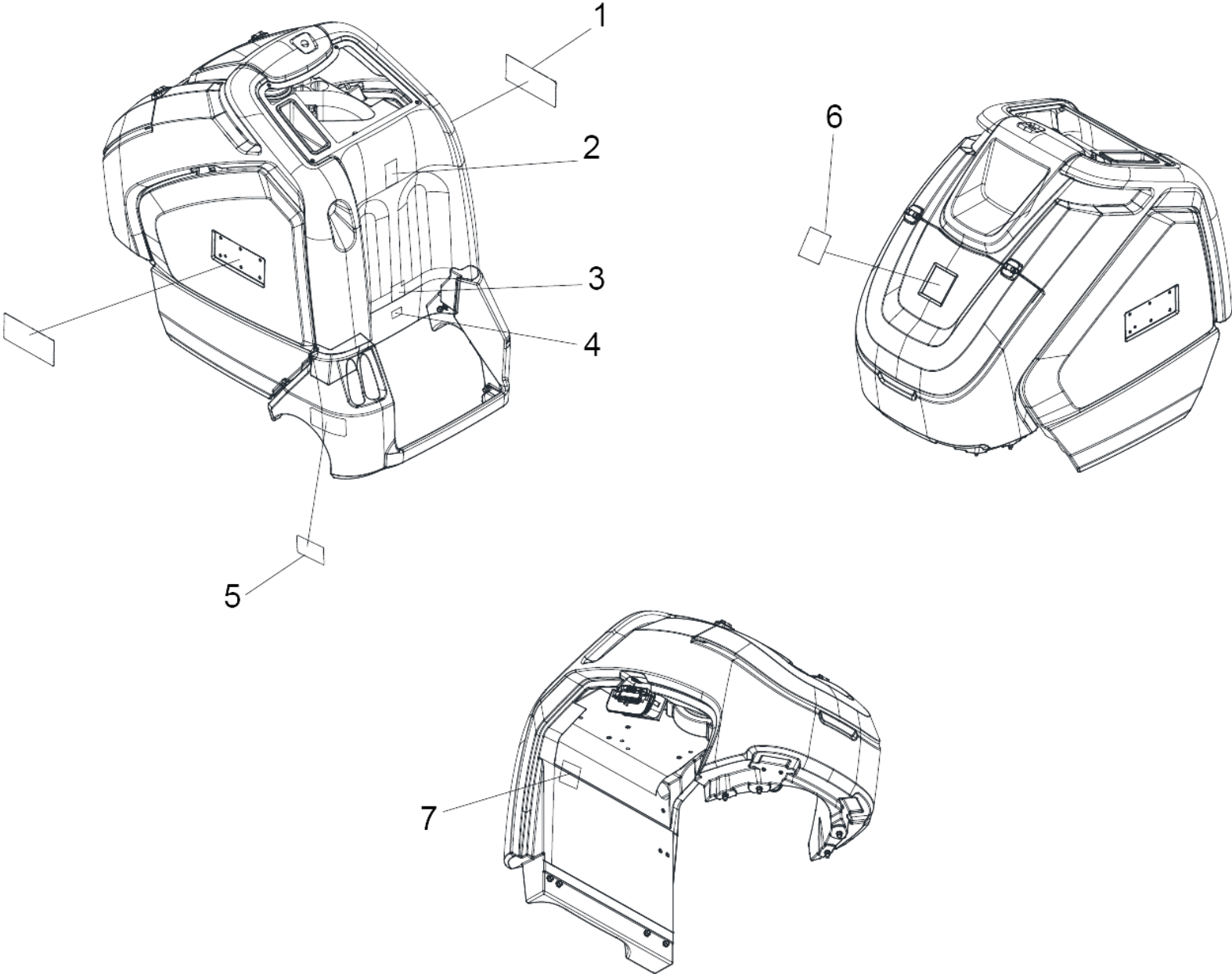
120 FRAME DELUXE

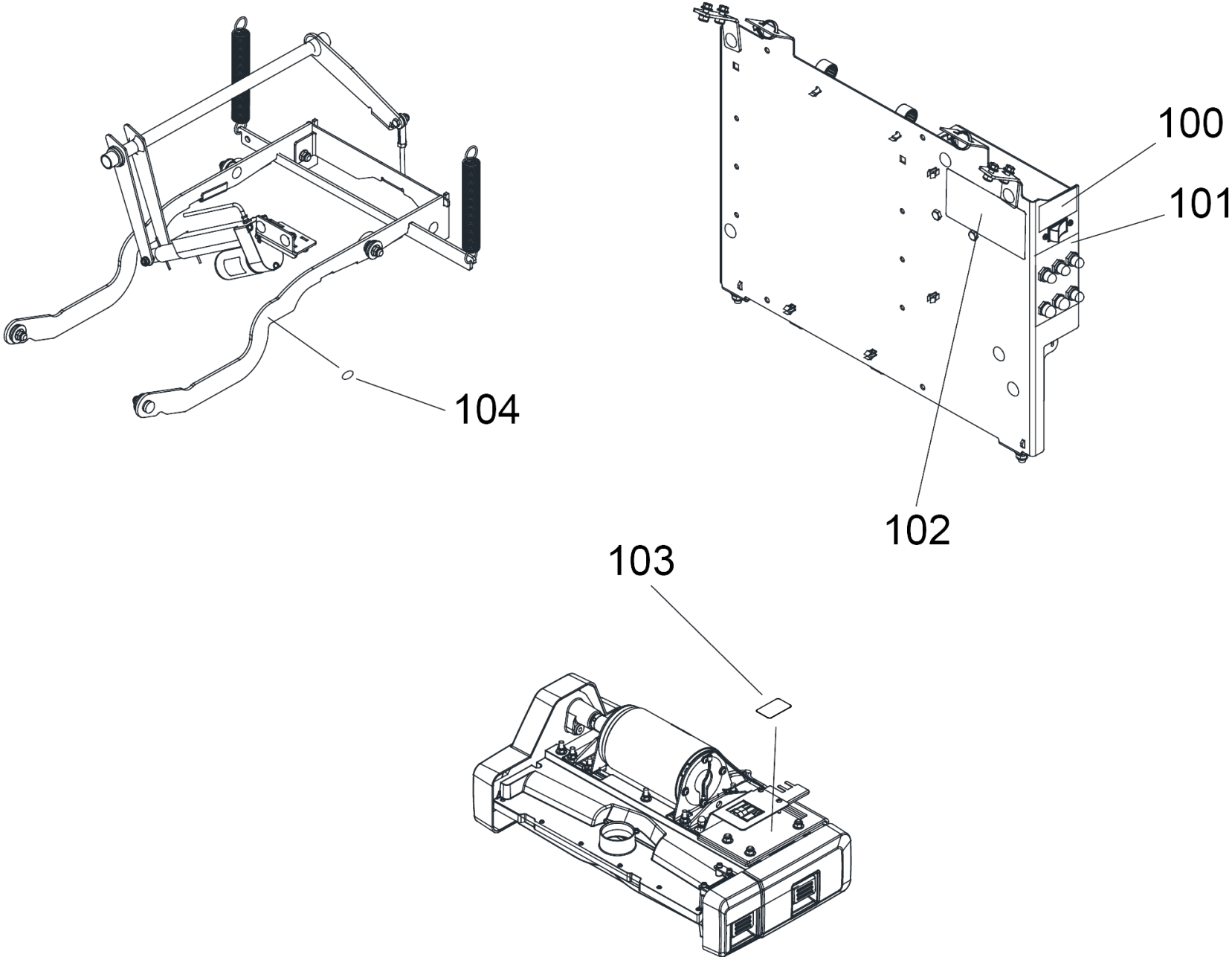
POS	Artikelnr.	Beschreibung	Anzahl	Einheit
1	9.802-754.0	SCREW, 1/4" x 1/2" NC, WHIZ LOC FLANGE	1	ST
2	8.644-913.0	Unterlegscheibe .812 x 1.5 x .070 SS	2	ST
3	8.644-807.0	Gummi Lasche .25T x 1.12W x 8L	2	ST
4	8.644-458.0	Rad 8" X 2"	2	ST
5	8.644-297.0	Auflagebock door hinge	3	ST
6	8.644-279.0	Reiterblech Unterteiler	1	ST
7	8.644-278.0	Rahmen primaer	1	ST
8	8.644-258.0	Auflagebock vorne links frame	1	ST
9	8.644-257.0	Auflagebock vorne rechts frame	1	ST
10	8.644-244.0	Rahmen Standfuß Box	1	ST
11	8.644-145.0	Tasche Hinge	4	ST
12	8.636-824.0	NUT, 5/16-18, FLG NYLOCK SS	18	ST
13	8.636-031.0	NUT, 1/4-20 FLG SS NYL	9	ST
14	8.627-700.0	Schraube 1/4-20x1,5	1	ST
15	8.627-696.0	SCREW	8	ST
16	8.627-607.0	Schraube 5/16-18 X 3/4	18	ST
17	8.623-972.0	Hupe 108DB MINATURE W/RING	1	ST
18	8.623-850.0	Dichtung 1.703 IDx25ODx125	2	ST
19	8.623-845.0	Oese 3.0 ID X 3.25 GROOVE	1	ST
20	8.600-871.0	Ring 3/4" EXT SNAP H-D	2	ST
21	8.627-713.0	Schraube 5/16-18X1.00 CARRIAGE SS	1	ST
22	8.636-725.0	WASHER, .344 X 1.13 X .09 SS	1	ST



130 FRONT DRIVE DELUXE

POS	Artikelnr.	Beschreibung	Anzahl	Einheit	Bemerkung
1	8.751-864.0	SCREW, 3/8-16 x 3/4" NC, WHIZ LOC, SS	4	ST	
2	8.644-840.0	Ring Retaining, External, 15/16" Shaft	1	ST	
3	8.644-428.0	Schraube M10 X 25mm FLSCS	4	ST	
4	8.643-775.0	Konsole Lenkung pivot	1	ST	
5	8.643-772.0	Antriebsrad 36VDC	1	ST	
5	8.644-200.0	Antriebsrad thermistor	1	ST	Service part for 86437720 Assy - Not shown
5	8.644-219.0	Oeldichtung Set fahren wheel motor	1	ST	Service part for 86437720 Assy - Not shown
6	8.644-189.0	Rad Reifen 10 x 3	1	ST	Service part for 86437720 Assy
7	8.644-190.0	Bremse fahren Rad 36V 4.75Nm	1	ST	Service part for 86437720 Assy
8	8.644-192.0	Motor fahren Rad 36VDC 2HP	1	ST	Service part for 86437720 Assy - contains Thermistor
9	8.643-724.0	Platte oberer Antriebsmotor cable guide	1	ST	
10	8.643-723.0	Platte untere Antriebsmotor cable guide	1	ST	
11	8.642-684.0	SCREW, KA40X20 T20 SS	2	ST	
12	8.635-787.0	ASM, BEARING BLOCK, FRT DRIVE	1	ST	
13	8.622-398.0	Kugellager 52x25x15	1	ST	Service Part for 86357870
14	8.626-494.0	Kabelbinder 11.38" UL/CSA	11	ST	NOT SHOWN
15	8.644-191.0	Buerste Set fahren wheel motor	1	ST	Service Part - not shown



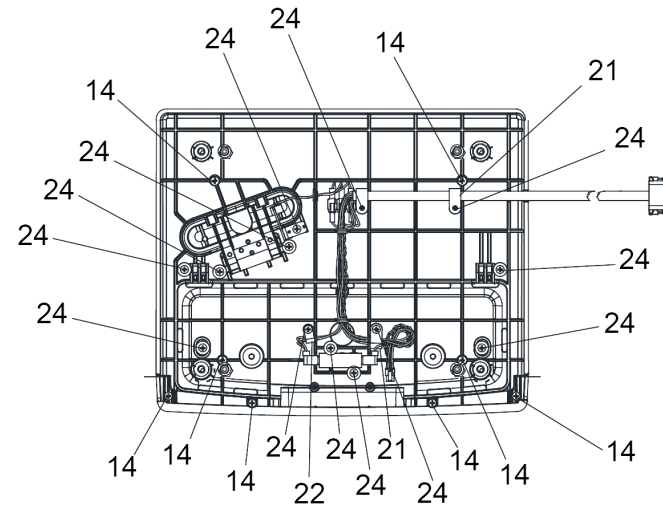
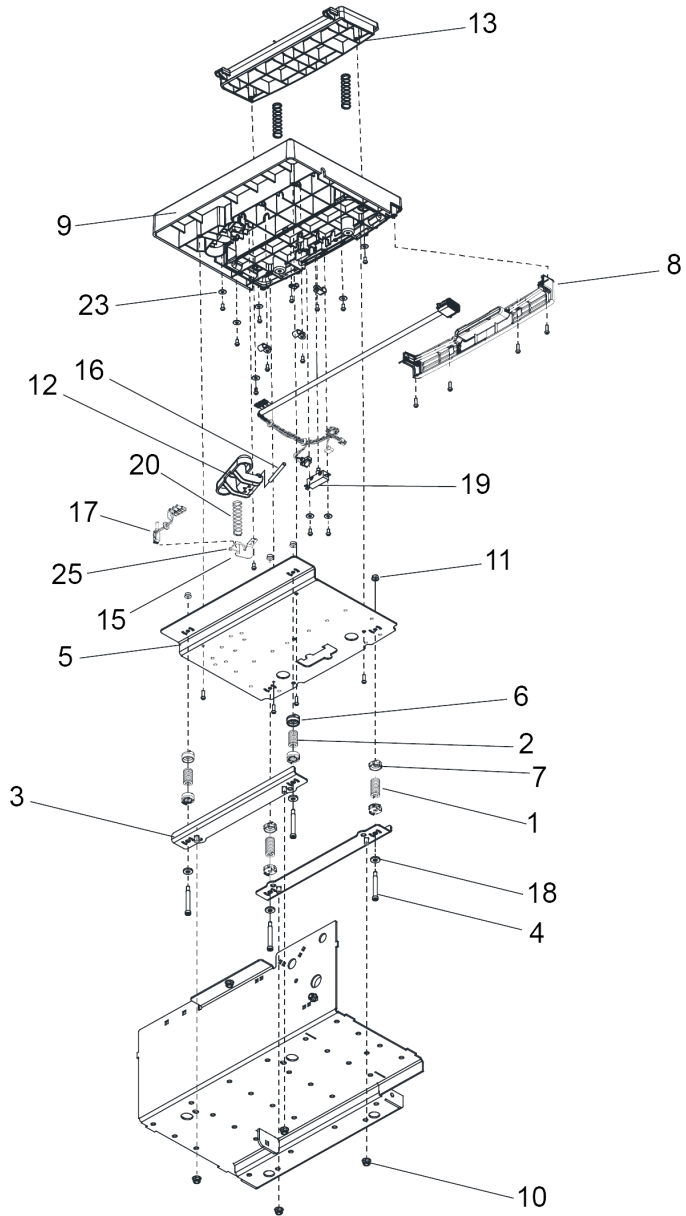


140 LABELS DELUXE

POS	Artikelnr.	Beschreibung	Anzahl	Einheit
1	5.385-513.0	Schild Logo geklebt XL	2	ST
2	8.644-450.0	Etikett QR code C4 Deluxe	1	ST
3	8.624-430.0	Warnschild Tank	1	ST
4	8.624-431.0	Warnschild Sicherheit	1	ST
5	8.633-486.0	Schild HEPA Filterung	1	ST
6	5.385-518.0	Schild Signet geklebt XL Professional	1	ST
7	8.625-252.0	Aufkleber Sicherheit BATTERY CAUTION	1	ST
100	8.644-730.0	Schild OBC caution	1	ST
101	8.644-859.0	Aufkleber circuit breakers	1	ST
102	8.644-727.0	Schild battery cable AGM/wet	1	ST
103	8.640-249.0	LABEL, PINCH HAZARD	1	ST
104	8.633-501.0	Warnschild	1	ST

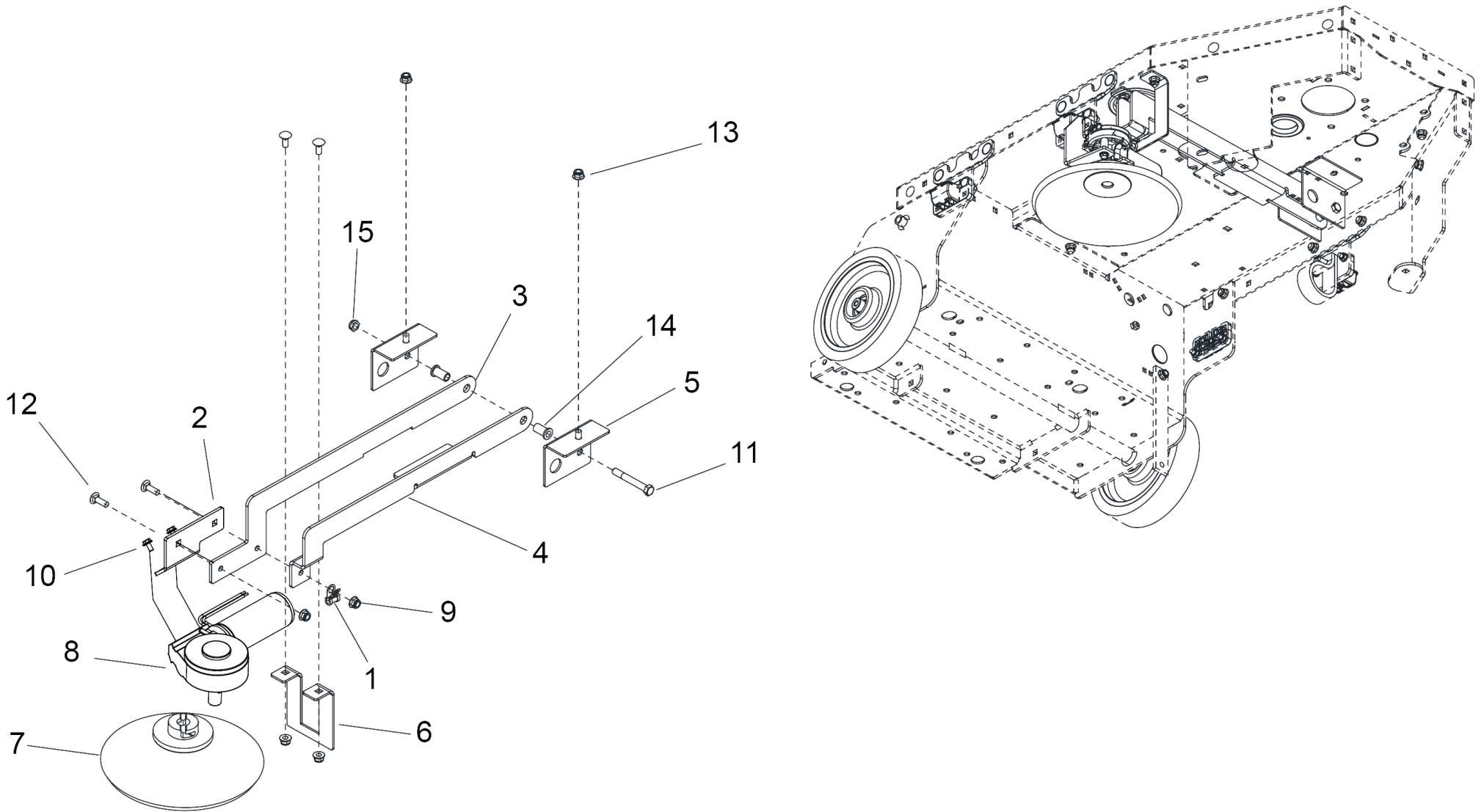
150 MAIN BODY DELUXE

POS	Artikelnr.	Beschreibung	Anzahl	Einheit
1	9.802-754.0	SCREW, 1/4" x 1/2" NC, WHIZ LOC FLANGE	8	ST
2	8.644-832.0	Schraube 5/16-18 X 5/8 HHMS SERFLG	4	ST
3	8.644-436.0	Hauptkoerper trim deluxe chariot 4	1	ST
4	8.644-421.0	Tuer kpl. links	1	ST
5	8.644-234.0	Abdichtung Dichtung 44.25"	1	ST
6	8.644-160.0	Zapfen Dowel 1/4 X 1.25 ST ZNPLT	2	ST
7	8.644-151.0	Scharnier Deckel	2	ST
8	8.644-147.0	PURCHASED DOMESTIC PARTS	2	ST
9	8.644-146.0	PURCHASED DOMESTIC PARTS	2	ST
10	8.643-651.0	Luftansaugung Abdeckung	2	ST
11	8.643-486.0	Frontdeckel	1	ST
12	7.777-999.0	Bevorratung eingestellt	12	ST
13	8.638-959.0	Tuer kpl. rechts	1	ST
14	8.636-824.0	NUT, 5/16-18, FLG NYLOCK SS	4	ST
15	8.627-638.0	SCR, 5/16-18X1.25 SSSCU	4	ST
16	8.627-187.0	Mutter 1/4-20 Hex Nylock	4	ST
17	8.632-768.0	Schalter	2	ST



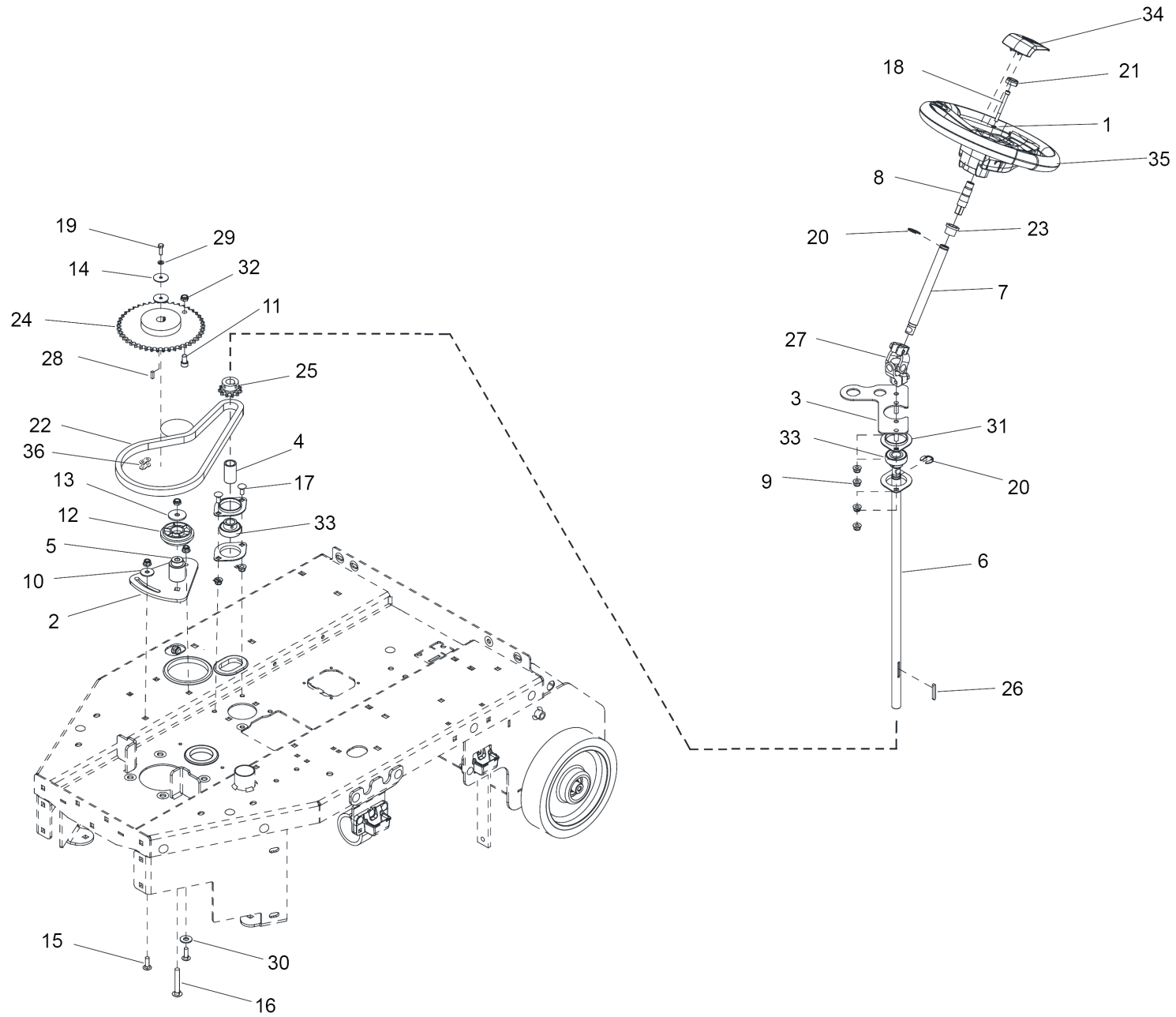
160 PLATFROM DELUXE

POS	Artikelnr.	Beschreibung	Anzahl	Einheit
1	8.644-321.0	Feder .75x.38x1.5 313 LB/IN	2	ST
2	8.644-320.0	Feder .75x.38x1.25 244 LB/IN	2	ST
3	8.644-245.0	Auflagebock Feder	2	ST
4	8.644-162.0	Abstreifer Bolzen 5/16 X 2L SS	4	ST
5	8.644-161.0	Bodengrundplatte Bediener Podest	1	ST
6	8.644-140.0	Feder bushing .75" x .25"	4	ST
7	8.644-139.0	Feder bushing .75" x .13"	4	ST
8	8.643-481.0	Haube Podest rear	1	ST
9	8.643-480.0	Plattform Betreiber	1	ST
10	8.636-824.0	NUT, 5/16-18, FLG NYLOCK SS	4	ST
11	8.636-031.0	NUT, 1/4-20 FLG SS NYL	4	ST
12	8.633-469.0	Pedal	1	ST
13	8.633-424.0	Pedal	1	ST
14	7.303-104.0	Schraube 5x16 -A2-70 (IN6RD)	8	ST
15	8.632-615.0	Halter	1	ST
16	8.632-614.0	Spannstift .25 X 2.75, STEEL	1	ST
17	8.631-156.0	Potentiometer linear	1	ST
18	8.627-965.0	Dichtscheibe 5/16X3/4	4	ST
19	8.625-661.0	SWITCH, SPDT 20A SNAP-ACTION	1	ST
20	8.625-497.0	Druckfeder 18MMOD X 83 X 2	3	ST
21	8.623-317.0	Klemme 3/8 NYLON UL/CSA	3	ST
22	8.619-844.0	Klammer	1	ST
23	8.617-333.0	Scheibe	8	ST
24	8.617-298.0	Schraube	13	ST
25	8.626-493.0	Kabelband 3.5" UL/CSA	1	ST



170 SIDE BROOM

POS	Artikelnr.	Beschreibung	Anzahl	Einheit
1	8.644-897.0	Seite Besen p-clip	1	ST
2	8.645-106.0	Halterung Motor Anbau	1	ST
3	8.644-267.0	Hubarm Buerste	1	ST
4	8.644-266.0	Hubarm Verbinder	1	ST
5	8.644-265.0	Auflagebock Hub pivot	2	ST
6	8.644-264.0	Hubarm Fuehrung Halterung	1	ST
7	8.644-221.0	Buerste 9.5 in black polypropylene spin-on	1	ST
8	8.645-119.0	Motor Zusammenbau 36VDC 90 degree	1	ST
9	8.636-824.0	NUT, 5/16-18, FLG NYLOCK SS	6	ST
10	8.636-214.0	Sechskantschraube M6x12mm	2	ST
11	7.777-999.0	Bevorratung eingestellt	1	ST
12	8.627-713.0	Schraube 5/16-18X1.00 CARRIAGE SS	2	ST
13	8.627-607.0	Schraube 5/16-18 X 3/4	2	ST
14	8.622-898.0	BUSHING, .377 X .502 X 1 FLG	2	ST
15	8.600-563.0	Mutter 3/8-16 HEX NYLOCK THIN SS	1	ST

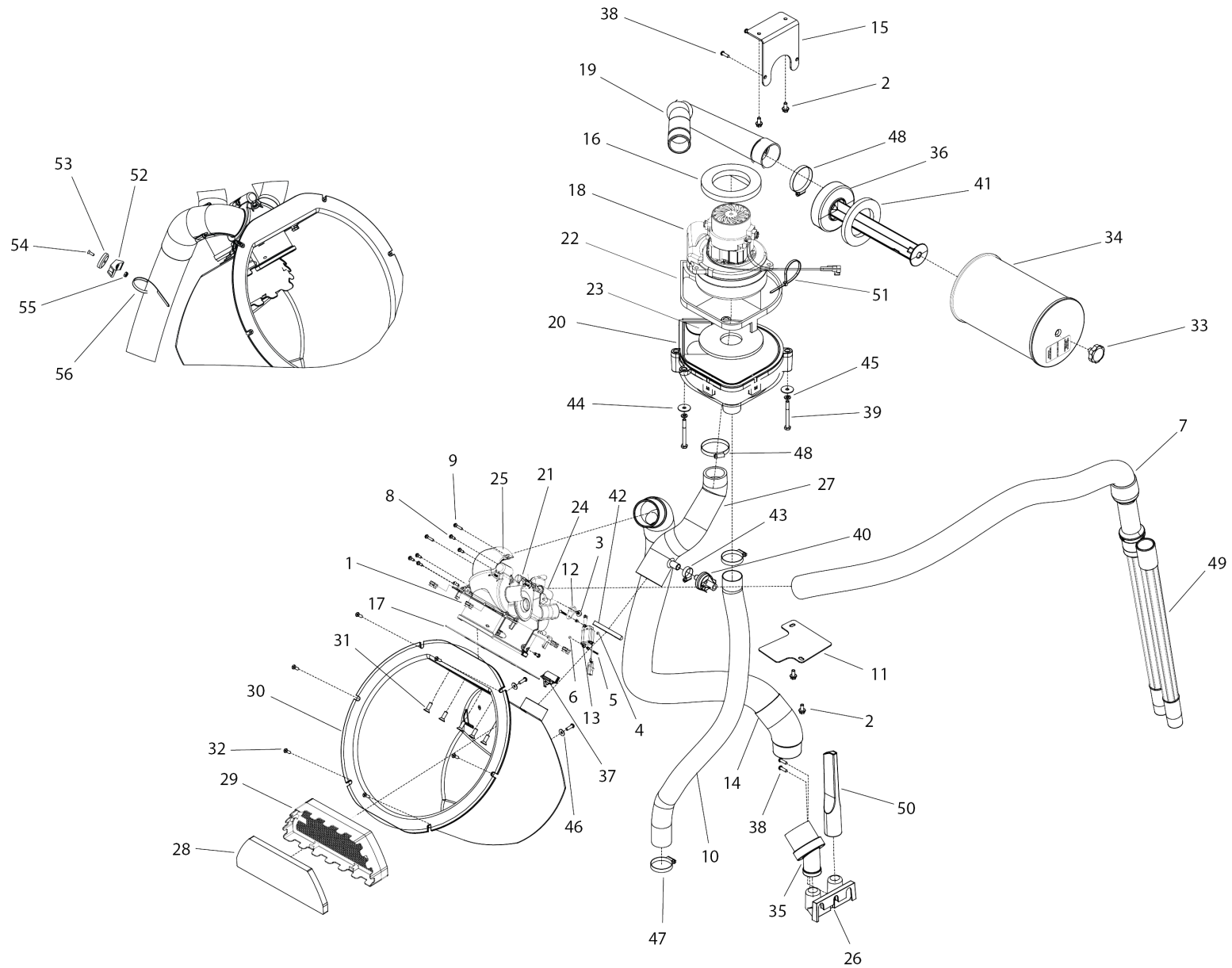


180 STEERING DELUXE

POS	Artikelnr.	Beschreibung	Anzahl	Einheit
1	8.644-842.0	Unterlegscheibe 1/4 X .363 X .078 SPL SS	1	ST
2	8.644-288.0	Konsole tensioner	1	ST
3	8.644-287.0	Auflagebock steering bearing	1	ST
4	8.644-194.0	Zwischenstueck 1.0 x .75 x 1.75	1	ST
5	8.644-187.0	Huelse Kette Spanner	1	ST
6	8.644-176.0	Schaft unterer Lenkung 24 inch	1	ST
7	8.644-113.0	Schaft oberer Lenkung 8 inch	1	ST
8	8.644-112.0	Schaft Lenkung Rad stub	1	ST
9	8.636-824.0	NUT, 5/16-18, FLG NYLOCK SS	8	ST
10	8.636-725.0	WASHER, .344 X 1.13 X .09 SS	1	ST
11	8.636-121.0	SCREW, 3/8-16 X .625 SCHCS STL BLKOX	1	ST
12	8.633-072.0	Spannrolle	1	ST
13	8.627-949.0	WASHER, 3/8 X 1.50 X .12 FNDR STL ZNPLT	1	ST
14	8.627-894.0	Scheibe 1/4 ID X 1-1/4 OD PLT	2	ST
15	8.627-713.0	Schraube 5/16-18X1.00 CARRIAGE SS	2	ST
16	8.627-687.0	Schraube 3/8-16 X 2.50 CARRIAGE SS	1	ST
17	8.627-607.0	Schraube 5/16-18 X 3/4	2	ST
18	8.627-516.0	SCR, 1/4-20 X 2.5 SHCS PLT	1	ST
19	8.627-433.0	Schraube M6x20 HHMS PLTD	1	ST
20	8.627-290.0	RING, 3/4" KLIP	2	ST
21	8.627-161.0	Mutter 5/8-18 HEX NYLOCK THN	1	ST
22	8.623-280.0	CHAIN, #40, 1/2 PITCH X 36	1	ST
23	8.622-879.0	Lager FLANGE .88ODX.75IDX.75	1	ST
24	8.622-481.0	Kettenrad DRIVE WHEEL STEERING	1	ST
25	8.622-480.0	Kettenrad STEERING SHAFT	1	ST
26	8.621-965.0	Taste 5MM SQ X 39MM L	1	ST
27	8.621-960.0	Gelenk Buchse	1	ST
28	8.613-597.0	Schluessel 3/16 SQ x 5/8 Long	1	ST
29	8.601-078.0	Scheibe 1/4 SPLIT LOCK PLTD	1	ST
30	8.601-077.0	Scheibe 7/16ID X1DX.08 FLT SS	1	ST
31	8.600-861.0	Flanschlager PRESS STEEL	4	ST
32	8.600-563.0	Mutter 3/8-16 HEX NYLOCK THIN SS	2	ST
33	8.600-103.0	Kugellager 3/4 BORE SPHERED	2	ST

180 STEERING DELUXE

POS	Artikelnr.	Beschreibung	Anzahl	Einheit
34	5.642-035.0	Abdeckkappe Lenkrad	1	ST
35	6.435-799.0	Lenkrad	1	ST
36	8.600-285.0	Kette #40, 1/2"P MASTER LINK	1	ST

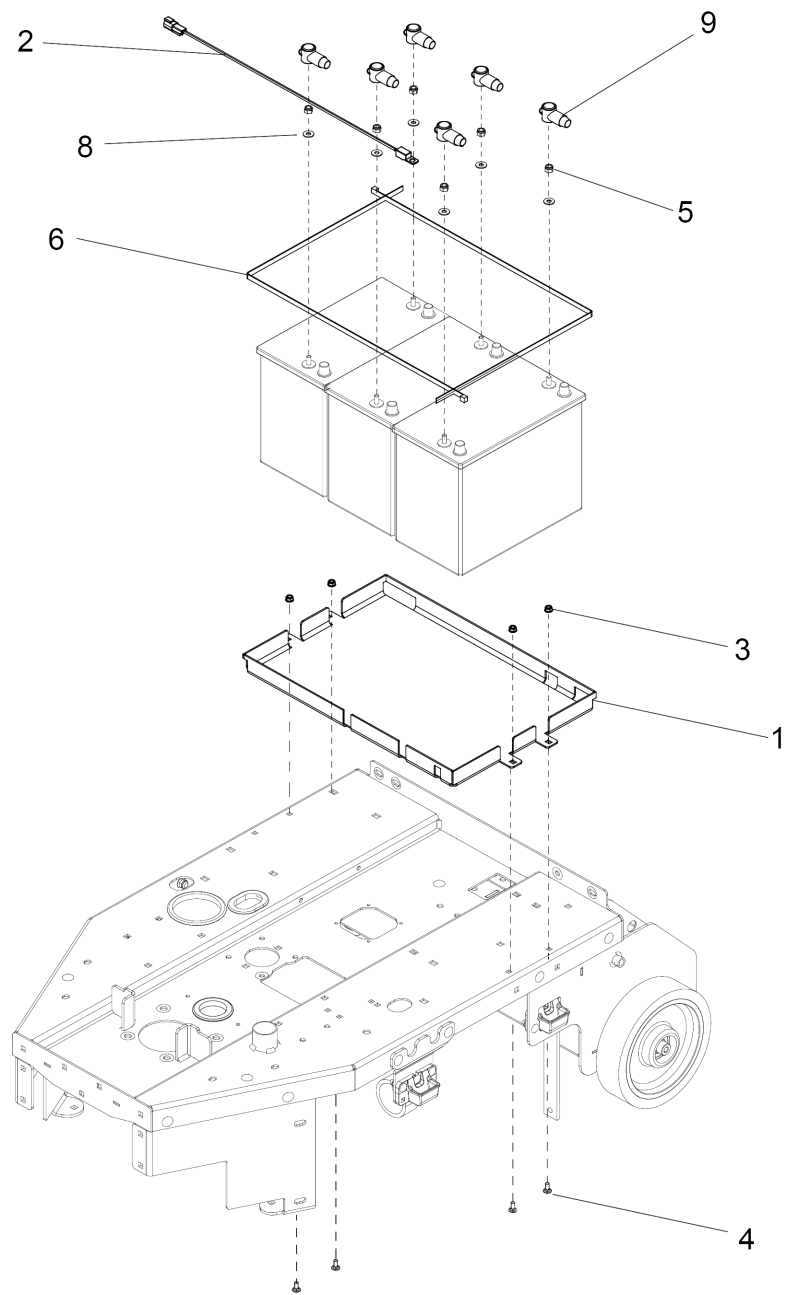


190 VACUUM WITH WAND

POS	Artikelnr.	Beschreibung	Anzahl	Einheit	Bemerkung
1	9.802-794.0	NUT, CAGE, 1/4in. X 12 GA	5	ST	
2	9.802-754.0	SCREW, 1/4" x 1/2" NC, WHIZ LOC FLANGE	4	ST	
3	8.644-951.0	Schraube M5x0.8mm x 8mm HEX FLGH SS	1	ST	
4	8.644-950.0	Mutter M3 HEX NYLOCK SS	2	ST	
5	8.644-949.0	Schraube M3x0.5 x 20 mm HHMS SS	2	ST	
6	8.644-947.0	Spacer 3.2 ID x 4 mm aluminum	2	ST	
7	8.645-088.0	Schlauch Montage 1-1/2" ID 10' accessory	1	ST	
8	8.644-877.0	Schraube M4x14mm TXP PNH PT	9	ST	
9	8.644-876.0	Schraube M4x25mm TXP PNH PT	2	ST	
10	8.644-379.0	VAC cooling 1.5" hose	1	ST	
11	8.644-335.0	Konsole Schlauch abstuetzen	1	ST	
12	8.644-281.0	Kurbelarm	1	ST	
13	8.644-280.0	Stellantrieb 12V 20mm stroke	1	ST	
14	8.644-235.0	Schlauch 2" diverter valve to deck	1	ST	
15	8.644-233.0	Befestigungswinkel HEPA filter	1	ST	
16	8.644-232.0	Vakuu Top Dichtung	1	ST	
17	8.644-181.0	Beutel Behaelter oberer gasket	1	ST	
18	8.644-180.0	Vakuu Motor mit snout 36VDC 2ST TD	1	ST	
19	8.644-167.0	Schlauch 1.5" x 17" with cuffs	1	ST	
20	8.644-136.0	Gehaeuse vac motor	1	ST	
21	8.644-135.0	Ventilplatte	1	ST	
22	8.644-125.0	Leichtmuellsauger Gehaeuse gasket	1	ST	
23	8.644-124.0	Vakuu bottom gasket	1	ST	
24	8.644-117.0	Untere diverter valve	1	ST	
25	8.644-116.0	Ventil oberer diverter	1	ST	
26	8.643-749.0	PURCHASED DOMESTIC PARTS	1	ST	
27	8.643-727.0	Leichtmuellsauger Schlauch turbine to bagbox	1	ST	
28	8.643-645.0	Filter Beutel Behaelter	1	ST	
29	8.643-644.0	Filter Haltetasche	1	ST	
30	8.643-485.0	Leichtmuellsauger Beutel Behaelter	1	ST	
31	8.640-081.0	SCREW, 1/4-20 X .75 PHFLHMS SS	5	ST	
32	8.636-488.0	SCREW, 10-32 X 0.625 PHCSKH SS	6	ST	
33	8.634-561.0	Sterngriff 3/8-16x1/2	1	ST	

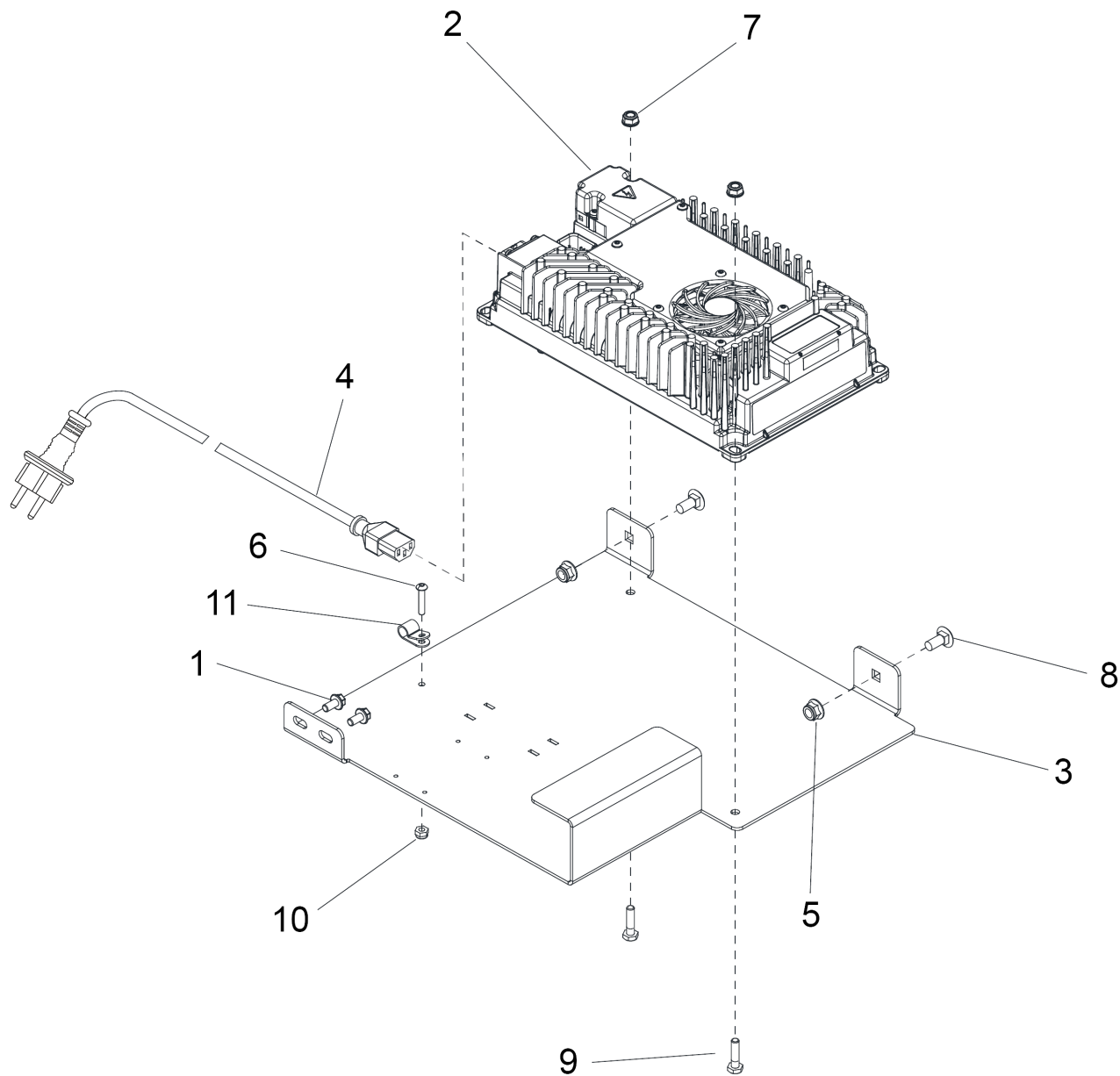
190 VACUUM WITH WAND

POS	Artikelnr.	Beschreibung	Anzahl	Einheit	Bemerkung
34	8.634-529.0	FILTER, Ø6X9, HEPA/CARBON	1	ST	
35	8.634-487.0	BRUSH, DUST	1	ST	
36	8.634-076.0	Halterung Filter	1	ST	
37	8.632-768.0	Schalter	1	ST	
38	7.303-104.0	Schraube 5x16 -A2-70 (IN6RD)	6	ST	
39	8.627-380.0	SCR, 1/4-20 X 2.5 HHCS SS	3	ST	
40	8.625-716.0	Schalter VACUUM 15" H2O NC/NO	1	ST	
41	8.623-744.0	Dichtung 4.06 x 2.50 x .38	1	ST	
42	8.623-343.0	Klemme Schneckengetriebe 2.50	1	ST	
43	8.623-315.0	Schelle 3/8"	1	ST	
44	8.601-081.0	Scheibe 1/4"IDX1.0OD. FLAT SS	3	ST	
45	8.601-078.0	Scheibe 1/4 SPLIT LOCK PLTD	3	ST	
46	8.601-065.0	Scheibe #10 X 9/16 OD	2	ST	
47	8.600-240.0	Klemme 2.0" WORM GEAR X .312W	2	ST	
48	8.600-238.0	Klemme 2.25" WORM GEAR	2	ST	
49	8.600-009.0	Saugrohr CV DN32 508mm Plastic	2	ST	
50	6.903-403.0	Fugenduese DN32	1	ST	
51	8.626-494.0	Kabelbinder 11.38" UL/CSA	1	ST	
52	8.645-268.0	Anbau bundle #10 mounting hole	1	ST	
53	8.645-269.0	Magnet 1.26" 100 lbs #8 mounting hole	1	ST	
54	8.631-071.0	Schraube 8-32 X 1/2" Pfhms Plt	1	ST	
55	8.627-202.0	6kt-Mutter 8-32	1	ST	
56	9.802-511.0	CABLE, TIE, 11" BLACK	1	ST	
57	8.644-214.0	Beutel Vakuum hepa (pack of 5)	1	ST	Not Shown



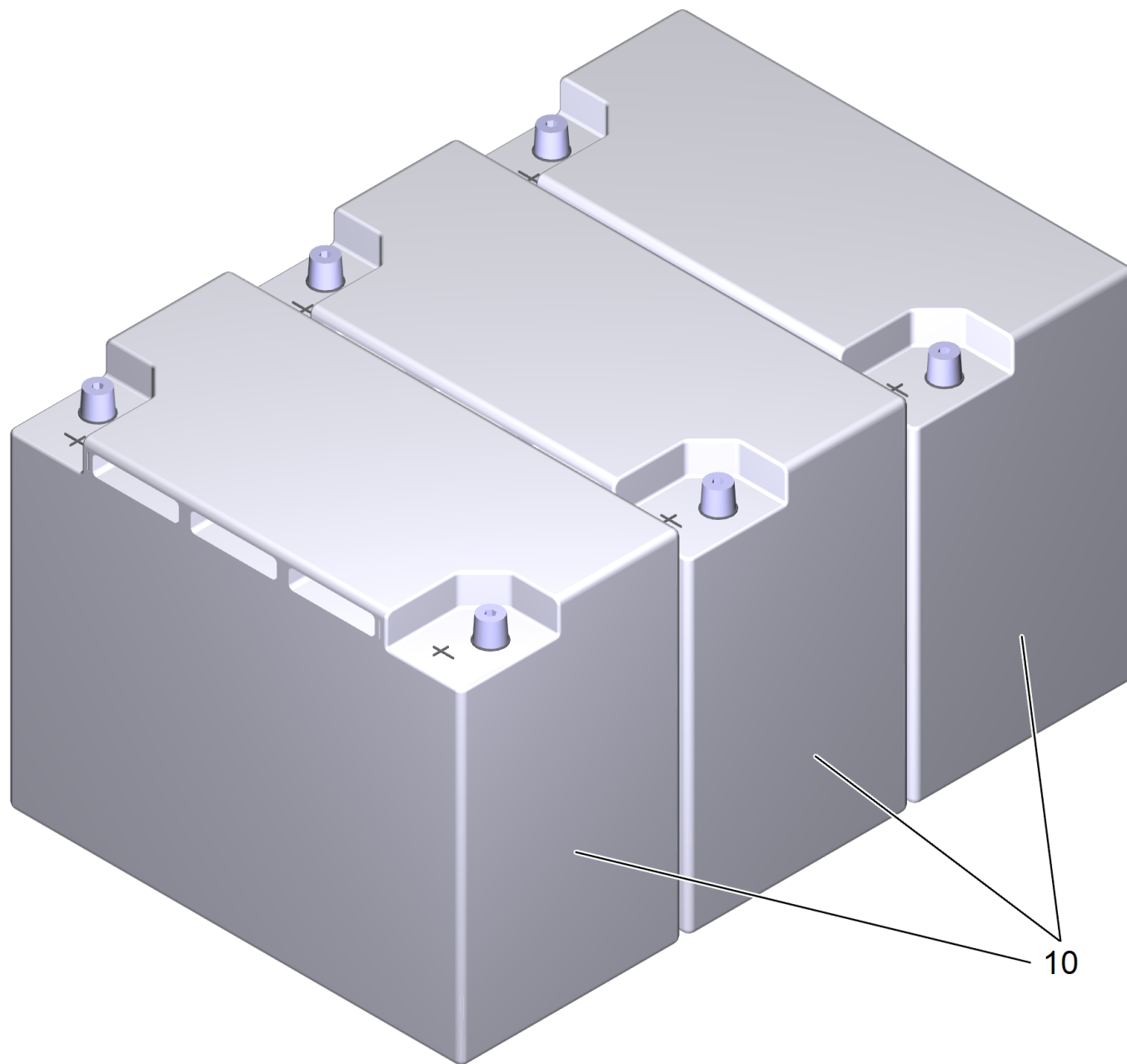
200 BATTERY AGM AKW DELUXE

POS	Artikelnr.	Beschreibung	Anzahl	Einheit	Bemerkung
1	8.644-890.0	Batterietrog AKW	1	ST	
2	8.644-417.0	Batterie thermistor	1	ST	
3	8.636-031.0	NUT, 1/4-20 FLG SS NYL	4	ST	
4	8.627-750.0	Schraube 1/4-20x5/8	4	ST	
5	8.627-191.0	Mutter 5/16-18 FLEX LK STL GRA ZNPLT	6	ST	
6	8.626-496.0	CABLE TIE, .375 X 43"	2	ST	
7	8.626-020.0	Kabel 4X14.5BK 3/8RINGX3/8RING	2	ST	NOT SHOWN
8	8.601-067.0	Scheibe 5/16 FLAT SS	6	ST	
9	8.600-892.0	Faltenbalg Gummi TERM. ISOLATOR	9	ST	



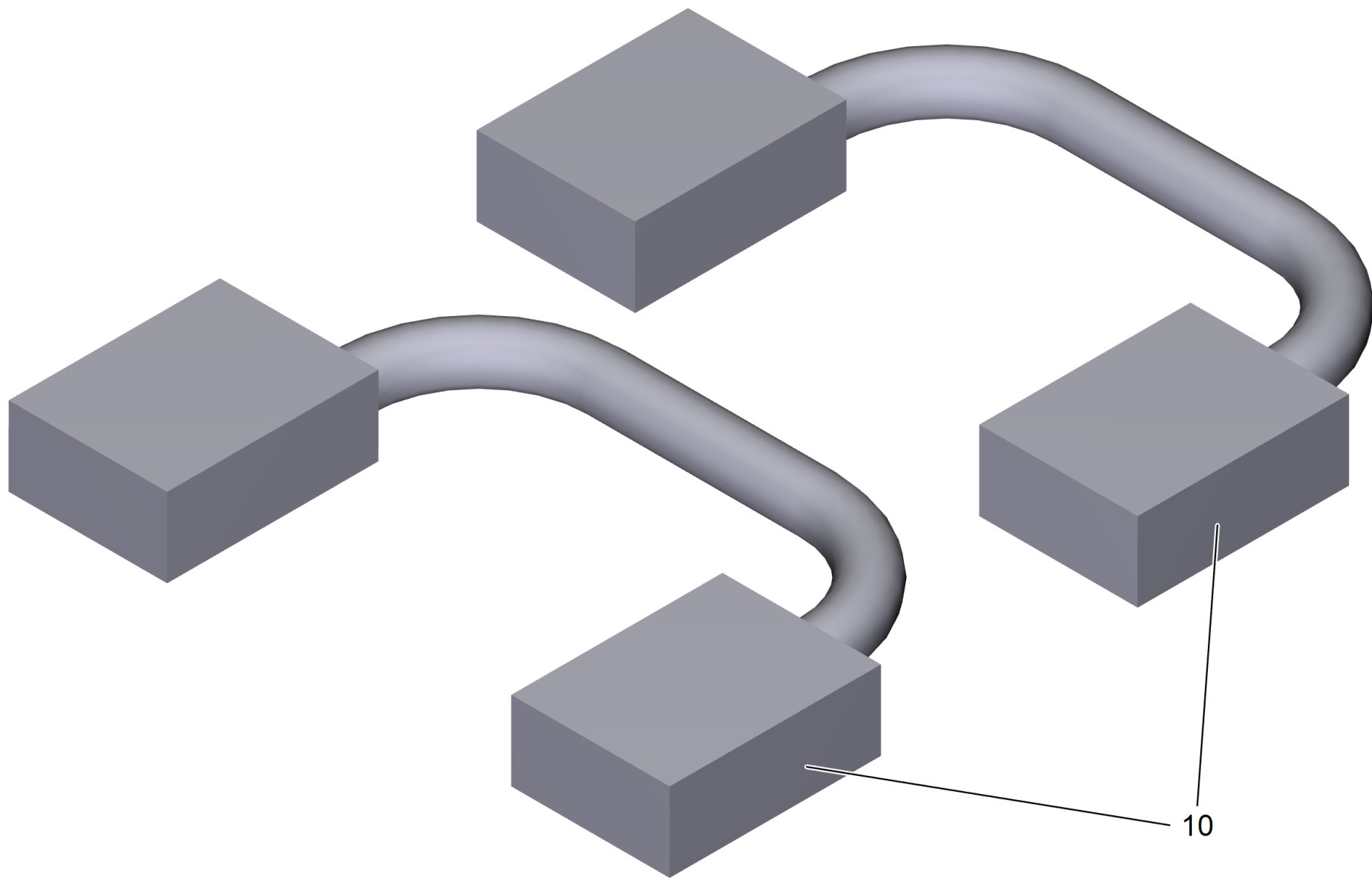
210 BATTERY CHARGER AKW

POS	Artikelnr.	Beschreibung	Anzahl	Einheit
1	9.802-754.0	SCREW, 1/4" x 1/2" NC, WHIZ LOC FLANGE	2	ST
2	8.644-795.0	Ladegeraet 36V 33A OBC algorithm289	1	ST
3	8.644-435.0	Konsole Ladegeraet deluxe	1	ST
4	8.637-157.0	Kabel mit Stecker	1	ST
5	8.636-824.0	NUT, 5/16-18, FLG NYLOCK SS	2	ST
6	8.643-708.0	Schraube #10-32 X.50 TPNHCS SS BLK ZNPLT	1	ST
7	8.636-031.0	NUT, 1/4-20 FLG SS NYL	2	ST
8	8.627-607.0	Schraube 5/16-18 X 3/4	2	ST
9	8.627-696.0	SCREW	2	ST
10	8.627-099.0	Mutter 10-32 HEX NYLOCK SS	1	ST
11	8.623-317.0	Klemme 3/8 NYLON UL/CSA	1	ST



9502 Batteriesatz AGM 3x 12V/115Ah

POS	Beschreibung	Anzahl	Einheit
10	Bauteil nur zur Orientierung	1	ST



9503 Einbausatz Batteriesatz

POS	Beschreibung	Anzahl	Einheit
10	Bauteil nur zur Orientierung	2	ST